



[DBPR HOME](#) | 
 [ABOUT DBPR](#) | 
 [DBPR DIVISIONS](#) | 
 [CONTACT DBPR](#)



[BCIS Home](#) | 
 [Log In](#) | 
 [User Registration](#) | 
 [Hot Topics](#) | 
 [Submit Surcharge](#) | 
 [Stats & Facts](#) | 
 [Publications](#) | 
 [FBC Staff](#) | 
 [BCIS Site Map](#) | 
 [Links](#) | 
 [Search](#)



**Product Approval**  
USER: Public User

License efficiently. Regulate fairly.

[Product Approval Menu](#) > 
 [Product or Application Search](#) > 
 [Application List](#) > 
 **Application Detail**

OFFICE OF THE SECRETARY

| FL #   | FL17726-R3   |                 |             |            |      |            |      |           |      |         |      |         |      |         |      |
|--|--|-----------------|-------------|------------|------|------------|------|-----------|------|---------|------|---------|------|---------|------|
| Application Type   | Revision   |                 |             |            |      |            |      |           |      |         |      |         |      |         |      |
| Code Version   | 2014   |                 |             |            |      |            |      |           |      |         |      |         |      |         |      |
| Application Status   | Approved   |                 |             |            |      |            |      |           |      |         |      |         |      |         |      |
| Comments   |  |                 |             |            |      |            |      |           |      |         |      |         |      |         |      |
| Archived   | <input type="checkbox"/>   |                 |             |            |      |            |      |           |      |         |      |         |      |         |      |
| Product Manufacturer   | La Finestra, LC  |                 |             |            |      |            |      |           |      |         |      |         |      |         |      |
| Address/Phone/Email  | 2790 NW 104th Court<br>Miami, FL 33172<br>(305) 599-8093<br>brunosalvoni@lafinestra.us   |                 |             |            |      |            |      |           |      |         |      |         |      |         |      |
| Authorized Signature   | Bruno Salvoni<br>brunosalvoni@lafinestra.us  |                 |             |            |      |            |      |           |      |         |      |         |      |         |      |
| Technical Representative   |  |                 |             |            |      |            |      |           |      |         |      |         |      |         |      |
| Address/Phone/Email  |  |                 |             |            |      |            |      |           |      |         |      |         |      |         |      |
| Quality Assurance Representative                                       |  |                 |             |            |      |            |      |           |      |         |      |         |      |         |      |
| Address/Phone/Email  |  |                 |             |            |      |            |      |           |      |         |      |         |      |         |      |
| Category   | Exterior Doors   |                 |             |            |      |            |      |           |      |         |      |         |      |         |      |
| Subcategory  | Sliding Exterior Door Assemblies   |                 |             |            |      |            |      |           |      |         |      |         |      |         |      |
| Compliance Method  | Evaluation Report from a Florida Registered Architect or a Licensed Florida Professional Engineer<br><input type="checkbox"/> Evaluation Report - Hardcopy Received  |                 |             |            |      |            |      |           |      |         |      |         |      |         |      |
| Florida Engineer or Architect Name who developed the Evaluation Report | Frank L. Bennardo, P.E.  |                 |             |            |      |            |      |           |      |         |      |         |      |         |      |
| Florida License  | PE-0046549   |                 |             |            |      |            |      |           |      |         |      |         |      |         |      |
| Quality Assurance Entity   | National Accreditation & Management Institute  |                 |             |            |      |            |      |           |      |         |      |         |      |         |      |
| Quality Assurance Contract Expiration Date                             | 04/30/2018   |                 |             |            |      |            |      |           |      |         |      |         |      |         |      |
| Validated By   | Troy Bishop, P.E.<br><input checked="" type="checkbox"/> Validation Checklist - Hardcopy Received  |                 |             |            |      |            |      |           |      |         |      |         |      |         |      |
| Certificate of Independence  | <a href="#">FL17726_R3_COI_Indep.pdf</a>   |                 |             |            |      |            |      |           |      |         |      |         |      |         |      |
| Referenced Standard and Year (of Standard)                             | <table border="0"> <thead> <tr> <th><b>Standard</b></th> <th><b>Year</b></th> </tr> </thead> <tbody> <tr> <td>ASTM E1886</td> <td>2013</td> </tr> <tr> <td>ASTM E1996</td> <td>2014</td> </tr> <tr> <td>ASTM E330</td> <td>2014</td> </tr> <tr> <td>TAS 201</td> <td>1994</td> </tr> <tr> <td>TAS 202</td> <td>1994</td> </tr> <tr> <td>TAS 203</td> <td>1994</td> </tr> </tbody> </table> | <b>Standard</b> | <b>Year</b> | ASTM E1886 | 2013 | ASTM E1996 | 2014 | ASTM E330 | 2014 | TAS 201 | 1994 | TAS 202 | 1994 | TAS 203 | 1994 |
| <b>Standard</b>  | <b>Year</b>  |                 |             |            |      |            |      |           |      |         |      |         |      |         |      |
| ASTM E1886   | 2013   |                 |             |            |      |            |      |           |      |         |      |         |      |         |      |
| ASTM E1996   | 2014   |                 |             |            |      |            |      |           |      |         |      |         |      |         |      |
| ASTM E330  | 2014   |                 |             |            |      |            |      |           |      |         |      |         |      |         |      |
| TAS 201  | 1994   |                 |             |            |      |            |      |           |      |         |      |         |      |         |      |
| TAS 202  | 1994   |                 |             |            |      |            |      |           |      |         |      |         |      |         |      |
| TAS 203  | 1994   |                 |             |            |      |            |      |           |      |         |      |         |      |         |      |
| Equivalence of Product Standards Certified By                          | Florida Licensed Professional Engineer or Architect<br><a href="#">FL17726_R3_Equiv_Equiv.pdf</a>  |                 |             |            |      |            |      |           |      |         |      |         |      |         |      |

Sections from the Code

Product Approval Method Method 1 Option D

Date Submitted 04/20/2016  
 Date Validated 04/20/2016  
 Date Pending FBC Approval 04/24/2016  
 Date Approved 06/08/2016

**Summary of Products**

| FL #   | Model, Number or Name              | Description  |
|--|------------------------------------|--|
| 17726.1  | Series EKU 9000 Sliding Glass Door | Series EKU 9000 Sliding Glass Door Large & Small Missile Impact Resistant  |
| <b>Limits of Use</b><br>Approved for use in HVHZ: Yes<br>Approved for use outside HVHZ: Yes<br>Impact Resistant: Yes<br>Design Pressure: +100/-135<br>Other: |                                    | <b>Installation Instructions</b><br><a href="#">FL17726_R3_II_Dwg.pdf</a><br>Verified By: Frank L. Bennardo, P.E. PE0046549<br>Created by Independent Third Party: Yes<br><b>Evaluation Reports</b><br><a href="#">FL17726_R3_AE_Eval.pdf</a><br>Created by Independent Third Party: Yes |

[Back](#) [Next](#)

[Contact Us](#) :: [2601 Blair Stone Road, Tallahassee FL 32399](#) Phone: 850-487-1824

The State of Florida is an AA/EEO employer. [Copyright 2007-2013 State of Florida.](#) :: [Privacy Statement](#) :: [Accessibility Statement](#) :: [Refund Statement](#)

Under Florida law, email addresses are public records. If you do not want your e-mail address released in response to a public-records request, do not send electronic mail to this entity. Instead, contact the office by phone or by traditional mail. If you have any questions, please contact 850.487.1395. \*Pursuant to Section 455.275(1), Florida Statutes, effective October 1, 2012, licensees licensed under Chapter 455, F.S. must provide the Department with an email address if they have one. The emails provided may be used for official communication with the licensee. However email addresses are public record. If you do not wish to supply a personal address, please provide the Department with an email address which can be made available to the public. To determine if you are a licensee under Chapter 455, F.S., please click [here](#).

**Product Approval Accepts:**



## Product Evaluation Report

April 20, 2016

Application Number: FL#17726.1 R3  
EX Project Number: 15-2257

Product Manufacturer: La Finestra, LC  
Manufacturer Address: 2790 NW 104<sup>TH</sup> Court.  
Miami, FL 33172

Product Name & Description: Series EKU 9000 Sliding Glass Door  
Large & Small Missile Impact Resistant

### **Scope of Evaluation:**

This Product Evaluation Report is being issued in accordance with the requirements of the Florida Department of Business and Professional Regulation (Florida Building Commission) Rule Chapter 61G20-3.005, F.A.C., for statewide acceptance per Method 1(d). The product noted above has been tested and/or evaluated as summarized herein to show compliance with the Florida Building Code Fifth Edition (2014) and is, for the purpose intended, at least equivalent to that required by the Code. Re-evaluation of this product shall be required following pertinent Florida Building Code modifications or revisions.

### **Substantiating Data:**

- **PRODUCT EVALUATION DOCUMENTS**

EX drawing #15-2257 titled "Series EKU 9000 Sliding Glass Door", sheets 1- 28, prepared by Engineering Express, signed & sealed by Frank L. Bennardo, P.E. is an integral part of this Evaluation Report.

- **TEST REPORTS**

Uniform static structural performance has been tested in accordance with TAS 202 & ASTM E330-14 test standards per test report(s) HETI-14-5042, HETI-15-5044, HETI-15-5128, HETI-15-5120, 16-1524, by Hurricane Engineering and Testing, Inc.

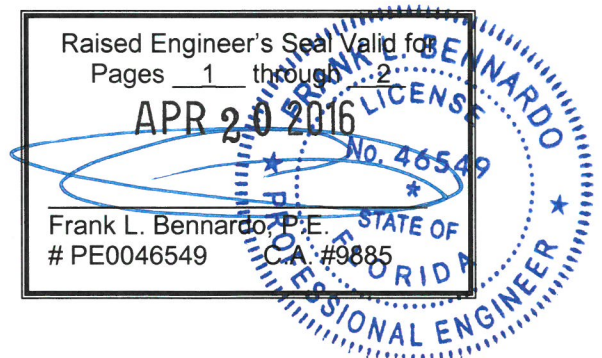
Large missile impact resistance and cyclic loading performance have been tested in accordance with TAS 201 & 203 and ASTM E 1886-13a & ASTM E 1996-14 test standards per test report(s) HETI-15-5046, HETI-14-5050, HETI-15-5129, HETI-15-5121, 16-5025 by Hurricane Engineering and Testing, Inc.

- **STRUCTURAL ENGINEERING CALCULATIONS**

Structural engineering calculations have been prepared which evaluate the product based on comparative and/or rational analysis to qualify the following design criteria:

1. Anchor Spacing
2. Maximum Allowable Size/Pressure Combinations
3. Glass Capacity
4. Anchor Capacity

No 33% increase in allowable stress has been used in the design of each product.



- SentryGlas Interlayer by Kuraray America, Inc. (NOA #14-0916.11)

### ***Impact Resistance:***

Large and Small Missile Impact Resistance has been demonstrated as evidenced in previously listed test reports, and is accounted for in the engineering design of this product.

### ***Wind Load Resistance***

Each product has been designed to resist wind loads as indicated in the design schedule(s) on its respective Product Evaluation Document (i.e. engineering drawing).

### ***Installation***

Each product listed above shall be installed in strict compliance with its respective Product Evaluation Document (i.e. engineering drawing), along with all components noted therein.

Each product component shall be of the material specified in that product's respective Product Evaluation Document (i.e. engineering drawing).

### ***Limitations & Conditions of Use:***

Use of each product shall be in strict accordance with its respective Product Evaluation Document (i.e. engineering drawing) as noted herein.

All supporting host structures shall be designed to resist all superimposed loads and shall be of a material listed in each product's respective anchor schedule. Host structure conditions which are not accounted for in each product's respective anchor schedule shall be designed for on a site-specific basis by a registered professional engineer.

All components which are permanently installed shall be protected against corrosion, contamination, and other such damage at all times.

Each product has been designed for use within and outside of the High Velocity Hurricane Zone (HVHZ).

April 20, 2016

Florida Department of Business and Professional Regulation  
1940 North Monroe Street  
Tallahassee, FL 32399

Regarding: La Finestra, LC  
Series EKV 9000 Sliding Glass Door  
EX #15-2257

To Whom It May Concern:

This office has reviewed test reports showing structural performance of the above-noted product. These test reports pertain to testing performed in accordance with ASTM E1996-14a "Standard Specification for Performance of Exterior Windows, Curtain Walls, Doors, and Impact Protective Systems Impacted by Windborne Debris in Hurricanes". This standard has not been adopted in the Florida Building Code Fifth Edition (2014), but serves as an applicable test method in accordance with ASTM E1996-12, which is adopted in Florida Building Code Fifth Edition (2014) and is adequate for the purpose of determining structural performance of this product.

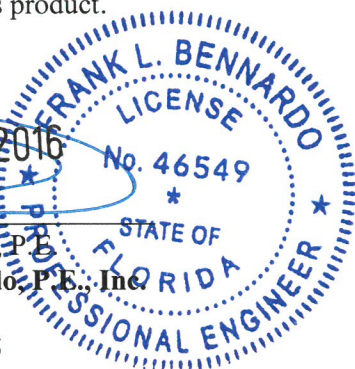
This office has reviewed test reports showing structural performance of the above-noted product. These test reports pertain to testing performed in accordance with ASTM E1886-13 "Test Method for Performance of Exterior Windows, Curtain Walls, Doors and Storm Shutters Impacted by Missiles and Exposed to Cyclic Pressure Differentials". This standard has not been adopted in the Florida Building Code Fifth Edition (2014), but serves as an applicable test method in accordance with ASTM E1886-05, which is adopted in Florida Building Code Fifth Edition (2014) and is adequate for the purpose of determining structural performance of this product.

This office has reviewed test reports showing structural performance of the above-noted product. These test reports pertain to testing performed in accordance with ASTM E330-14 "Test Method for Structural Performance of Exterior Windows, Curtain Walls and Doors by Uniform Static Air Pressure Difference". This standard has not been adopted in the Florida Building Code Fifth Edition (2014), but serves as an applicable test method in accordance with ASTM E330-02, which is adopted in Florida Building Code Fifth Edition (2014) and is adequate for the purpose of determining structural performance of this product.

Respectfully,

APR 20 2016

Frank L. Bennardo, P.E.  
**Frank L. Bennardo, P.E., Inc.**  
FL PE 0046549  
Cert of Auth #9885



April 20, 2016

Florida Department of Business and Professional Regulation  
1940 North Monroe Street, Tallahassee FL 32399

Regarding: La Finestra, LC  
Series EKU 9000 Sliding Glass Door (Large & Small Missile Impact Resistant)  
Project #15-2257

To Whom It May Concern:

Please be advised that the below-signed engineer does not have nor will acquire a financial interest in the company manufacturing or distributing the product(s) for which an evaluation report or validation certification has been prepared, as referenced above. This engineer is not owned, operated, nor controlled by the manufacturer or distributor noted above and does not have any financial interest in any other entity involved in the approval process of the above-noted product(s).

Respectfully,

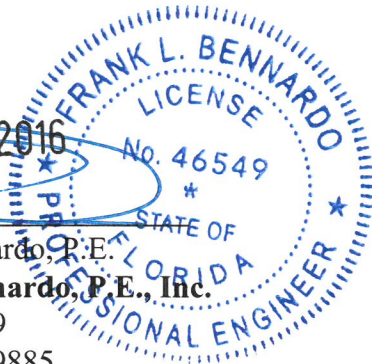
APR 20 2016

Frank L. Bennardo, P.E.

**Frank L. Bennardo, P.E., Inc.**

FL PE 0046549

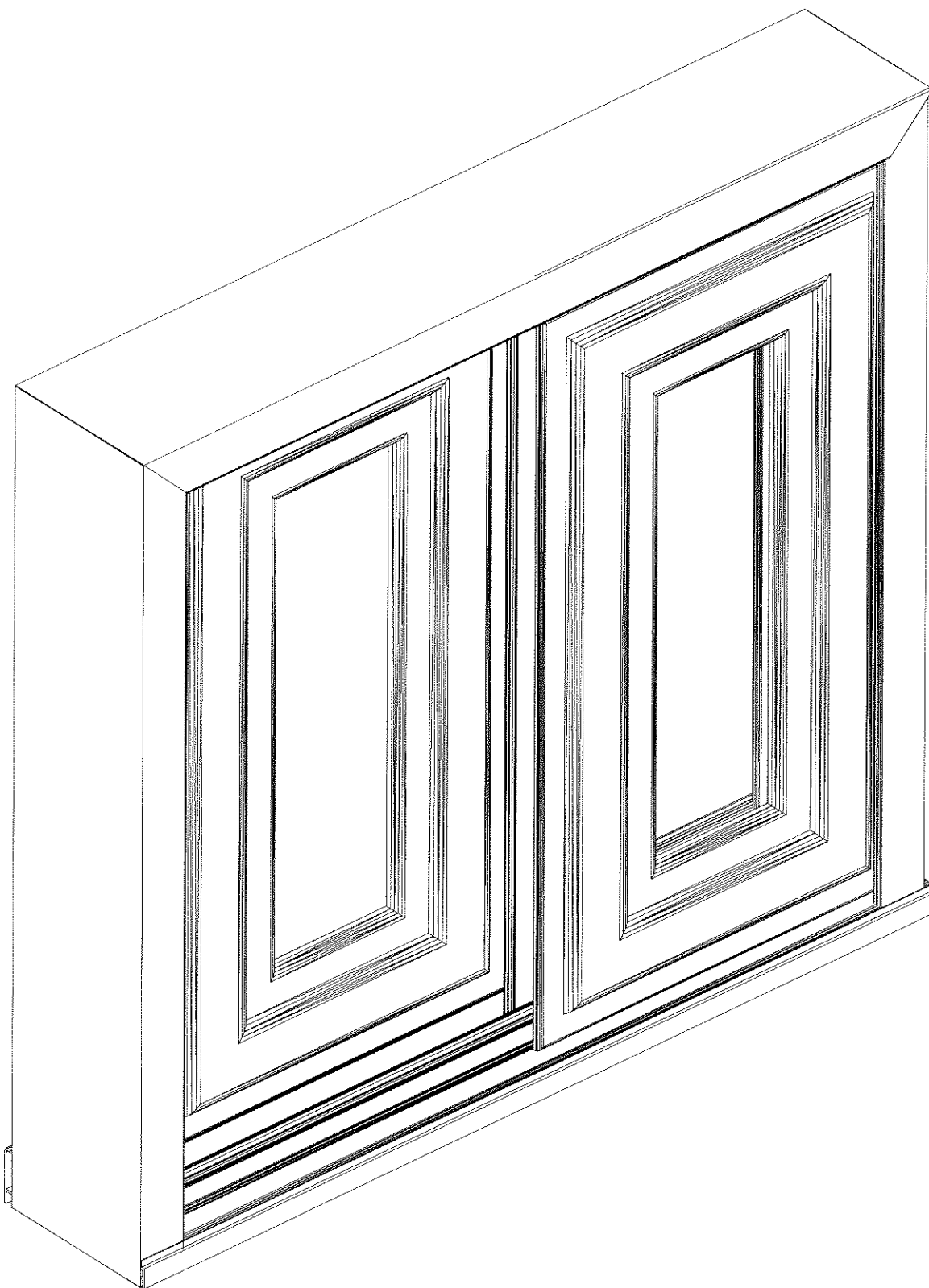
Cert of Auth #9885



# LA FINESTRA, LC

## SERIES EKU-9000 SLIDING GLASS DOOR

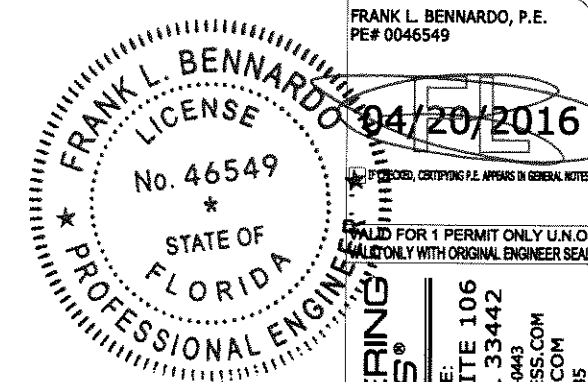
### LARGE AND SMALL MISSILE IMPACT RESISTANT



| SHEET INDEX |                        |
|-------------|------------------------|
| # SHEET     | DESCRIPTION            |
| 1           | COVER SHEET            |
| 2           | ELEVATION              |
| 3-5         | LOADING TABLES         |
| 6           | ANCHOR LAYOUTS         |
| 7           | GLASS TYPES            |
| 8           | 2 TRACK SECTIONS       |
| 9           | 3 TRACK SECTIONS       |
| 10          | 4 TRACK SECTIONS       |
| 11          | 2,3 & 4 TRACK SECTIONS |
| 12-14       | 2 TRACK ANCHORING      |
| 15-17       | 3 TRACK ANCHORING      |
| 18-21       | 4 TRACK ANCHORING      |
| 22          | TRACK CONFIGURATIONS   |
| 23          | FRAME ASSEMBLY         |
| 24-27       | EXTRUSIONS             |
| 28          | BILL OF MATERIALS      |
| 28          | TOTAL                  |

### GENERAL NOTES

1. THE SYSTEM DESCRIBED HEREIN HAS BEEN DESIGNED AND TESTED IN ACCORDANCE WITH THE FLORIDA BUILDING CODE, FOR USE WITHIN AND OUTSIDE THE HIGH VELOCITY HURRICANE ZONE, PER ASTM E1300-04 & TAS 201/202/203 STANDARDS AS QUALIFIED IN TEST REPORTS HETI-15-5044, HETI-14-5050, HETI-14-5042, HETI-15-5046, HETI-15-5120, HETI-15-5121, HETI-15-5128 & HETI-15-5129 BY HURRICANE ENGINEERING & TESTING INC.
2. NO 33-1/3% INCREASE IN ALLOWABLE STRESS HAS BEEN USED IN THE DESIGN OF THIS SYSTEM. WIND LOAD DURATION FACTOR  $C_d=1.6$  HAS BEEN USED FOR WOOD ANCHOR DESIGN.
3. POSITIVE AND NEGATIVE DESIGN PRESSURES CALCULATED FOR USE WITH THIS SYSTEM SHALL BE DETERMINED BY OTHERS ON A JOB-SPECIFIC BASIS IN ACCORDANCE WITH THE GOVERNING CODE. SITE SPECIFIC WIND LOAD REQUIREMENTS SHALL BE DETERMINED IN ACCORDANCE WITH ASCE 7-10 AND THE FLORIDA BUILDING CODE BY SEPARATE ENGINEERING CERTIFICATION AND SHALL BE LESS THAN OR EQUAL TO THE POSITIVE OR NEGATIVE DESIGN PRESSURE CAPACITY VALUE LISTED HEREIN FOR ANY ASSEMBLY WITHIN THE LIMITATIONS STATED HEREIN.
4. THE SYSTEM DETAILED HEREIN IS GENERIC AND DOES NOT PROVIDE INFORMATION FOR A SPECIFIC SITE. FOR SITE CONDITIONS DIFFERENT FROM THE CONDITIONS DETAILED HEREIN, A LICENSED ENGINEER OR REGISTERED ARCHITECT SHALL PREPARE SITE SPECIFIC DOCUMENTS FOR USE IN CONJUNCTION WITH THIS DOCUMENT.
5. PERMIT HOLDER SHALL VERIFY THE ADEQUACY OF THE EXISTING STRUCTURE TO WITHSTAND SUPERIMPOSED LOADS. WOOD BUCKS (BY OTHERS) SHALL BE ANCHORED PROPERLY TO TRANSFER LOADS TO THE EXISTING STRUCTURE.
6. MULTIPLE UNITS MUST BE INSTALLED USING STRUCTURAL MULLIONS APPROVED BY OTHERS OR UNDER SEPARATE CERTIFICATION.
7. ALL EXTRUSIONS SHALL BE 6063-T5 ALUMINUM ALLOY, UNLESS NOTED OTHERWISE.
8. EXTERIOR SEAM OF FRAME CORNERS SHALL BE SEALED WITH PECORA 895 SEALANT.
9. ALL FASTENERS & WASHERS SHALL BE ZINC COATED STEEL, GALVANIZED STEEL, OR STAINLESS STEEL WITH A MINIMUM ULTIMATE TENSILE STRENGTH  $F_u=74$  KSI, UNLESS NOTED OTHERWISE. ULTRACONS AND DRIL-FLEX FASTENERS REFERENCED HEREIN SHALL BE BY ELCO CONSTRUCTION PRODUCTS WITH A MINIMUM ULTIMATE TENSILE STRENGTH OF  $F_u=177$  KSI &  $F_u=120$  KSI, RESPECTIVELY.
10. ALL DISSIMILAR MATERIALS SHALL BE PAINTED OR PLATED TO PREVENT CORROSION OR ELECTROLYSIS.
11. GLAZING ILLUSTRATED HEREIN UTILIZES SENTRYGLAS INTERLAYER BY KURARAY AMERICA INC. (NOA# 14-0916.11).
12. THIS PRODUCT IS APPROVED FOR LARGE MISSILE & SMALL MISSILE IMPACT APPLICATIONS. SEE GLASS TYPES FOR ANY RESTRICTIONS.
13. MEANS OF EGRESS AND SAFEGUARD REQUIREMENTS ARE NOT ADDRESSED IN THIS APPROVAL AND SHALL BE CERTIFIED BY OTHERS.
14. ENGINEER SEAL AFFIXED HERE TO VALIDATES STRUCTURAL DESIGN AS SHOWN ONLY. USE OF THIS SPECIFICATION BY CONTRACTOR, et. al. INDEMNIFIES & SAVES HARMLESS THIS ENGINEER FOR ALL COST & DAMAGES INCLUDING LEGAL FEES & APPELLATE FEES RESULTING FROM MATERIAL FABRICATION, SYSTEM ERECTION, & CONSTRUCTION PRACTICES BEYOND THAT WHICH IS CALLED FOR BY LOCAL, STATE, & FEDERAL CODES & FROM DEVIATIONS OF THIS PLAN.
15. EXCEPT AS EXPRESSLY PROVIDED HEREIN, NO ADDITIONAL CERTIFICATIONS OR AFFIRMATIONS ARE INTENDED.
16. ALTERATIONS, ADDITIONS, OR OTHER MARKINGS TO THIS DOCUMENT ARE NOT PERMITTED AND INVALIDATE THIS CERTIFICATION.



**ENGINEERING EXPRESS®**  
 CORPORATE OFFICE:  
 160 SW 12th AVE, SUITE 106  
 DEERFIELD BEACH, FL 33442  
 P: (954) 354-0660 F: (954) 354-0443  
 E: HELLO@ENGINEERINGEXPRESS.COM  
 ENGINEERINGEXPRESS.COM  
 CERT OF AUTH #9885

**LA FINESTRA, LC**  
 2790 NW 104TH COURT  
 DORAL, FL  
 (305) 599-8093

FLORIDA PRODUCT APPROVAL (2) DOORS  
 2790 NW 104TH COURT, MIAMI, FL  
 FBC 5TH EDITION (2014) PRODUCT APPROVAL #, FL

| REMARKS    | DRWN |     | CHKD |     | DATE     |          |
|------------|------|-----|------|-----|----------|----------|
|            | JEM  | AJP | JEM  | FLB | 12/18/15 | 04/20/16 |
| INIT ISSUE |      |     |      |     |          |          |
| REV. 3     |      |     |      |     |          |          |

THIS DOCUMENT IS THE PROPERTY OF ENGINEERING EXPRESS, AND SHALL NOT BE REPRODUCED IN WHOLE OR PART WITHOUT WRITTEN CONSENT OF ENGINEERING EXPRESS. ALTERATIONS, ADDITIONS, OR OTHER MARKINGS TO THIS DOCUMENT ARE NOT PERMITTED AND INVALIDATE OUR CERTIFICATION.

COPYRIGHT ENGINEERING EXPRESS®

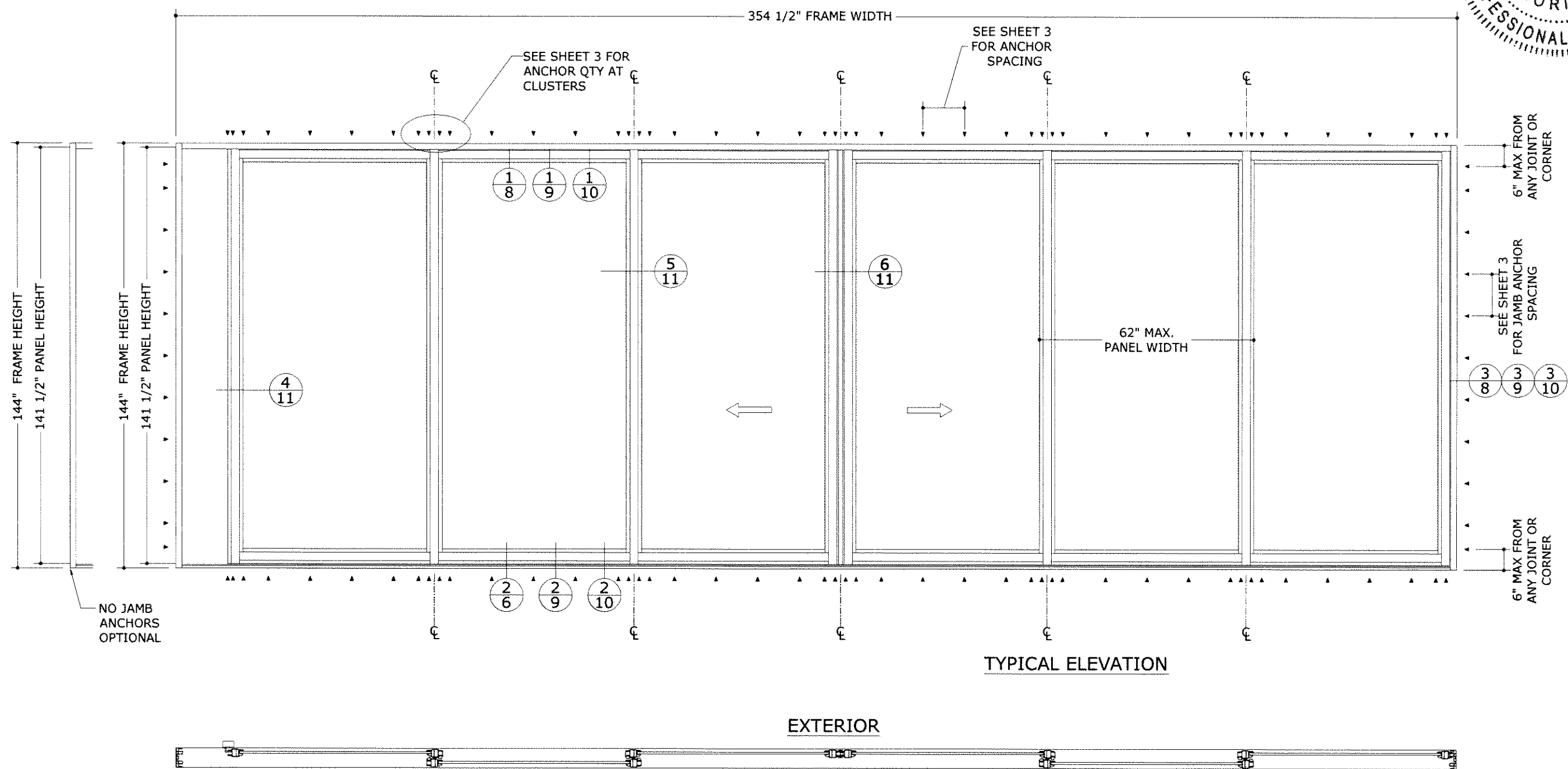
15-2257

SCALE: N.T.S.

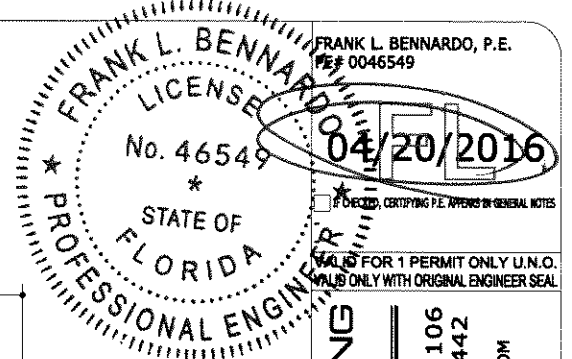
FL #17726.1 R3

1

V:\Projects\15-2257 Florida Product Approval (2) Doors\Sliding Glass Door 2nd Submittal\Drawings\Product approval - 2nd submittal.dwg joem 04/20/2016 - 6:11pm



▲ ANCHOR LOCATIONS SEE PAGES 3, 4 & 5 FOR SPACING AND QUANTITIES



**ENGINEERING EXPRESS®**  
 CORPORATE OFFICE:  
 160 SW 12th AVE, SUITE 106  
 DEERFIELD BEACH, FL 33442  
 P: (954) 354-0660 F: (954) 354-0443  
 E: HELLO@ENGINEERINGEXPRESS.COM  
 ENGINEERINGEXPRESS.COM  
 CERT OF AUTH #9885

**LA FINESTRA, LC**  
 2790 NW 104TH COURT  
 DORAL, FL  
 (305) 599-8093  
 FLORIDA PRODUCT APPROVAL (2) DOORS  
 2790 NW 104TH COURT, MIAMI, FL  
 FBC 5TH EDITION (2014) PRODUCT APPROVAL #, FL

| REMARKS  | INIT | ISSUE | DRWN | CHKD | DATE     |
|--|------|-------|------|------|----------|
|  | JEM  |       | AJP  |      | 12/18/15 |
| THIS DOCUMENT IS THE PROPERTY OF ENGINEERING EXPRESS AND SHALL NOT BE REPRODUCED IN WHOLE OR PART WITHOUT WRITTEN CONSENT OF ENGINEERING EXPRESS. ALTERATIONS, ADDITIONS, OR OTHER MARKINGS TO THIS DOCUMENT ARE NOT PERMITTED AND INVALIDATE OUR CERTIFICATION. |      |       |      |      |          |

COPYRIGHT ENGINEERING EXPRESS ©  
**15-2257**  
 SCALE: N.T.S.



C:\Users\joem\appdata\local\temp\AcPublish\_1004415-2257\_02c Product approval - 2nd submittal.dwg joem 04/20/2016 - 4:41 pm

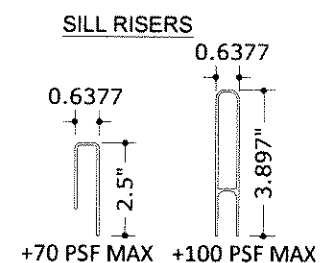
| LOADING & ANCHOR CAPACITY (PSF) |              |           |           |  |            |            |
|---------------------------------|--------------|-----------|-----------|--|------------|------------|
| NOMINAL DIMS                    |              |           |           | REQ'D ANCHORS AT CLUSTERS ON EACH SIDE OF VERTICAL |            |            |
| PANEL WIDTH                     | PANEL HEIGHT | (+) P.S.F | (-) P.S.F | WOOD (WA)  | CONC. (CA) | METAL (MA) |
| 24"                             | 80"          | 100       | 135       | 3  | 2          | 2          |
| 30"                             |              | 100       | 135       | 3  | 2          | 2          |
| 36"                             |              | 100       | 135       | 4  | 2          | 2          |
| 42"                             |              | 100       | 135       | 4  | 2          | 3          |
| 48"                             |              | 100       | 135       | 4  | 2          | 3          |
| 52"                             |              | 100       | 135       | 5  | 2          | 3          |
| 60"                             |              | 100       | 135       | 5  | 2          | 3          |
| 66"                             |              | -         | -         | -  | -          | -          |
| 72"                             | -            | -         | -         | -  | -          | -          |
| 24"                             | 84"          | 100       | 135       | 3  | 2          | 2          |
| 30"                             |              | 100       | 135       | 3  | 2          | 2          |
| 36"                             |              | 100       | 135       | 4  | 2          | 2          |
| 42"                             |              | 100       | 135       | 4  | 2          | 3          |
| 48"                             |              | 100       | 135       | 5  | 2          | 3          |
| 52"                             |              | 100       | 135       | 5  | 2          | 3          |
| 60"                             |              | 100       | 135       | 5  | 2          | 3          |
| 66"                             |              | -         | -         | -  | -          | -          |
| 72"                             | -            | -         | -         | -  | -          | -          |
| 24"                             | 88"          | 100       | 135       | 3  | 2          | 2          |
| 30"                             |              | 100       | 135       | 4  | 2          | 2          |
| 36"                             |              | 100       | 135       | 4  | 2          | 3          |
| 42"                             |              | 100       | 135       | 5  | 2          | 3          |
| 48"                             |              | 100       | 135       | 5  | 2          | 3          |
| 52"                             |              | 100       | 135       | 5  | 2          | 3          |
| 60"                             |              | 100       | 135       | 6  | 3          | 3          |
| 66"                             |              | -         | -         | -  | -          | -          |
| 72"                             | -            | -         | -         | -  | -          | -          |
| 24"                             | 92"          | 100       | 135       | 3  | 2          | 2          |
| 30"                             |              | 100       | 135       | 4  | 2          | 2          |
| 36"                             |              | 100       | 135       | 4  | 2          | 3          |
| 42"                             |              | 100       | 135       | 5  | 2          | 3          |
| 48"                             |              | 100       | 135       | 5  | 2          | 3          |
| 52"                             |              | 100       | 135       | 6  | 3          | 3          |
| 60"                             |              | 100       | 135       | 6  | 3          | 4          |
| 66"                             |              | -         | -         | -  | -          | -          |
| 72"                             | -            | -         | -         | -  | -          | -          |
| 24"                             | 96"          | 100       | 135       | 3  | 2          | 2          |
| 30"                             |              | 100       | 135       | 4  | 2          | 2          |
| 36"                             |              | 100       | 135       | 5  | 2          | 3          |
| 42"                             |              | 100       | 135       | 5  | 2          | 3          |
| 48"                             |              | 100       | 135*      | 5  | 3          | 3          |
| 52"                             |              | 100       | 135*      | 6  | 3          | 4          |
| 60"                             |              | 70        | 80        | 6  | 3          | 4          |
| 66"                             |              | -         | -         | -  | -          | -          |
| 72"                             | -            | -         | -         | -  | -          | -          |
| 24"                             | 100"         | 70        | 80        | 2  | 2          | 2          |
| 30"                             |              | 70        | 80        | 3  | 2          | 2          |
| 36"                             |              | 70        | 80        | 3  | 2          | 2          |
| 42"                             |              | 70        | 80        | 3  | 2          | 2          |
| 48"                             |              | 70        | 80        | 4  | 2          | 2          |
| 52"                             |              | 70        | 80        | 4  | 2          | 2          |
| 60"                             |              | 70        | 80        | 4  | 2          | 3          |
| 66"                             |              | -         | -         | -  | -          | -          |
| 72"                             | -            | -         | -         | -  | -          | -          |

| LOADING & ANCHOR CAPACITY (PSF) |              |           |           |  |            |            |
|---------------------------------|--------------|-----------|-----------|--|------------|------------|
| NOMINAL DIMS                    |              |           |           | REQ'D ANCHORS AT CLUSTERS ON EACH SIDE OF VERTICAL |            |            |
| PANEL WIDTH                     | PANEL HEIGHT | (+) P.S.F | (-) P.S.F | WOOD (WA)  | CONC. (CA) | METAL (MA) |
| 24"                             | 104"         | 70        | 80        | 2  | 2          | 2          |
| 30"                             |              | 70        | 80        | 3  | 2          | 2          |
| 36"                             |              | 70        | 80        | 3  | 2          | 2          |
| 42"                             |              | 70        | 80        | 3  | 2          | 2          |
| 48"                             |              | 70        | 80        | 4  | 2          | 2          |
| 52"                             |              | 70        | 80        | 4  | 2          | 2          |
| 60"                             |              | 70        | 80        | 4  | 2          | 3          |
| 66"                             |              | -         | -         | -  | -          | -          |
| 72"                             | -            | -         | -         | -  | -          | -          |
| 24"                             | 108"         | 70        | 80        | 2  | 2          | 2          |
| 30"                             |              | 70        | 80        | 3  | 2          | 2          |
| 36"                             |              | 70        | 80        | 3  | 2          | 2          |
| 42"                             |              | 70        | 80        | 4  | 2          | 2          |
| 48"                             |              | 70        | 80        | 4  | 2          | 2          |
| 52"                             |              | 70        | 80        | 4  | 2          | 3          |
| 60"                             |              | 70        | 80        | 5  | 2          | 3          |
| 66"                             |              | -         | -         | -  | -          | -          |
| 72"                             | -            | -         | -         | -  | -          | -          |
| 24"                             | 112"         | 70        | 80        | 3  | 2          | 2          |
| 30"                             |              | 70        | 80        | 3  | 2          | 2          |
| 36"                             |              | 70        | 80        | 3  | 2          | 2          |
| 42"                             |              | 70        | 80        | 4  | 2          | 2          |
| 48"                             |              | 70        | 80        | 4  | 2          | 3          |
| 52"                             |              | 70        | 80        | 4  | 2          | 3          |
| 60"                             |              | 70        | 80        | 5  | 2          | 3          |
| 66"                             |              | -         | -         | -  | -          | -          |
| 72"                             | -            | -         | -         | -  | -          | -          |
| 24"                             | 116"         | 70        | 80        | 3  | 2          | 2          |
| 30"                             |              | 70        | 80        | 3  | 2          | 2          |
| 36"                             |              | 70        | 80        | 4  | 2          | 2          |
| 42"                             |              | 70        | 80        | 4  | 2          | 2          |
| 48"                             |              | 70        | 80        | 4  | 2          | 3          |
| 52"                             |              | 70        | 80        | 5  | 2          | 3          |
| 60"                             |              | 70        | 80        | 5  | 2          | 3          |
| 66"                             |              | -         | -         | -  | -          | -          |
| 72"                             | -            | -         | -         | -  | -          | -          |
| 24"                             | 119 1/4"     | 70        | 80        | 3  | 2          | 2          |
| 30"                             |              | 70        | 80        | 3  | 2          | 2          |
| 36"                             |              | 70        | 80        | 4  | 2          | 2          |
| 42"                             |              | 70        | 80        | 4  | 2          | 2          |
| 48"                             |              | 70        | 80        | 4  | 2          | 3          |
| 52"                             |              | 70        | 80        | 5  | 2          | 3          |
| 60"                             |              | 70        | 80        | 5  | 2          | 3          |
| 66"                             |              | -         | -         | -  | -          | -          |
| 72"                             | -            | -         | -         | -  | -          | -          |

| REQ'D MAX SPACING BETWEEN CLUSTERS ( HEAD/SILL ) |           |            |            |
|--|-----------|------------|------------|
| PRESSURES  | WOOD (WA) | CONC. (CA) | METAL (MA) |
| UP TO 80 PSF                                     | 12"       | 12"        | 12"        |
| 80 PSF TO 135 PSF                                | 9"        | 10"        | 10"        |

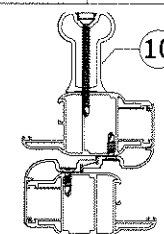
| REQ'D MAX SPACING AT JAMBS |           |            |            |
|----------------------------|-----------|------------|------------|
| ALL SIZES                  | WOOD (WA) | CONC. (CA) | METAL (MA) |
|                            | 6"        | 12"        | 12"        |

| REQ'D MAX SPACING FOR POCKET HOOK STRIP ANCHORS |           |            |            |
|---|-----------|------------|------------|
| ALL SIZES                                       | WOOD (WA) | CONC. (CA) | METAL (MA) |
|   | 6"        | 6"         | 6"         |

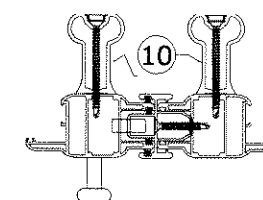


\* LIMITED TO 120 PSF WHEN ANCHORING IS THRU THRESHOLD RISER AREA

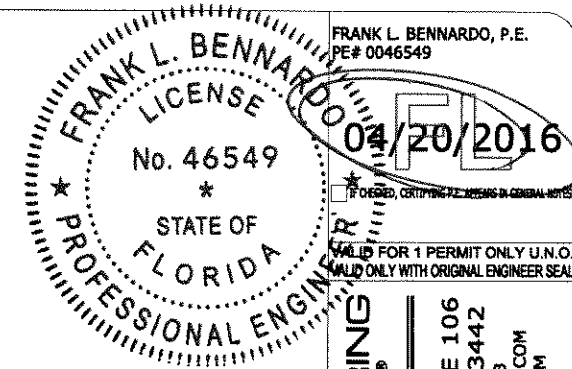
NOTE: SIZES ON CHARTS ARE PANEL DIMENSIONS ADD 2 1/4" TO HEIGHT OF PANEL FOR OVERALL FRAME HEIGHT



REINFORCEMENT 1 AT INTERLOCK



REINFORCEMENT 1 AT MEETING STILES



**ENGINEERING EXPRESS**  
 CORPORATE OFFICE:  
 160 SW 12th AVE, SUITE 106  
 DEERFIELD BEACH, FL 33442  
 P: (954) 354-0660 F: (954) 354-0443  
 E: HELLO@ENGINEERINGEXPRESS.COM  
 ENGINEERINGEXPRESS.COM  
 CERT OF AUTH #9885

**LA FINESTRA, LC**  
 2790 NW 104TH COURT  
 DORAL, FL  
 (305) 599-8093  
 FLORIDA PRODUCT APPROVAL (2) DOORS  
 2790 NW 104TH COURT, MIAMI, FL  
 FBC 5TH EDITION (2014) PRODUCT APPROVAL #, FL

| DRWN | CHKD | DATE     |
|------|------|----------|
| JEM  | AJP  | 12/16/15 |

THIS DOCUMENT IS THE PROPERTY OF ENGINEERING EXPRESS, AND SHALL NOT BE REPRODUCED IN WHOLE OR PART WITHOUT WRITTEN CONSENT OF ENGINEERING EXPRESS. ALTERATIONS, ADDITIONS, OR OTHER MARKINGS TO THIS DOCUMENT ARE NOT PERMITTED AND INVALIDATE OUR CERTIFICATION.

COPYRIGHT ENGINEERING EXPRESS ©

15-2257

SCALE: N.T.S.

C:\Users\joem\appdata\local\temp\AcPublish\_10044115-2257\_02c Product approval - 2nd submittal.dwg joem 04/20/2016 - 4:41pm

| LOADING & ANCHOR CAPACITY (PSF) |              |  |           |           |            |            |
|---------------------------------|--------------|--|-----------|-----------|------------|------------|
| NOMINAL DIMS                    |              | REQ'D ANCHORS AT CLUSTERS ON EACH SIDE OF VERTICAL |           |           |            |            |
| PANEL WIDTH                     | PANEL HEIGHT | (+) P.S.F  | (-) P.S.F | WOOD (WA) | CONC. (CA) | METAL (MA) |
| 24"                             | 80"          | 75   | 75        | 2         | 2          | 2          |
| 30"                             |              | 75   | 75        | 2         | 2          | 2          |
| 36"                             |              | 75   | 75        | 2         | 2          | 2          |
| 42"                             |              | 75   | 75        | 2         | 2          | 2          |
| 48"                             |              | 75   | 75        | 3         | 2          | 2          |
| 52"                             |              | 75   | 75        | 3         | 2          | 2          |
| 60"                             |              | -  | -         | -         | -          | -          |
| 66"                             |              | -  | -         | -         | -          | -          |
| 72"                             | -            | -  | -         | -         | -          |            |
| 24"                             | 84"          | 75   | 75        | 2         | 2          | 2          |
| 30"                             |              | 75   | 75        | 2         | 2          | 2          |
| 36"                             |              | 75   | 75        | 2         | 2          | 2          |
| 42"                             |              | 75   | 75        | 3         | 2          | 2          |
| 48"                             |              | 75   | 75        | 3         | 2          | 2          |
| 52"                             |              | 75   | 75        | 3         | 2          | 2          |
| 60"                             |              | -  | -         | -         | -          | -          |
| 66"                             |              | -  | -         | -         | -          | -          |
| 72"                             | -            | -  | -         | -         | -          |            |
| 24"                             | 88"          | 75   | 75        | 2         | 2          | 2          |
| 30"                             |              | 75   | 75        | 2         | 2          | 2          |
| 36"                             |              | 75   | 75        | 3         | 2          | 2          |
| 42"                             |              | 75   | 75        | 3         | 2          | 2          |
| 48"                             |              | 75   | 75        | 3         | 2          | 2          |
| 52"                             |              | 75   | 75        | 3         | 2          | 2          |
| 60"                             |              | -  | -         | -         | -          | -          |
| 66"                             |              | -  | -         | -         | -          | -          |
| 72"                             | -            | -  | -         | -         | -          |            |
| 24"                             | 92"          | 75   | 75        | 2         | 2          | 2          |
| 30"                             |              | 75   | 75        | 2         | 2          | 2          |
| 36"                             |              | 75   | 75        | 3         | 2          | 2          |
| 42"                             |              | 75   | 75        | 3         | 2          | 2          |
| 48"                             |              | 75   | 75        | 3         | 2          | 2          |
| 52"                             |              | 75   | 75        | 3         | 2          | 2          |
| 60"                             |              | -  | -         | -         | -          | -          |
| 66"                             |              | -  | -         | -         | -          | -          |
| 72"                             | -            | -  | -         | -         | -          |            |
| 24"                             | 96"          | 75   | 75        | 2         | 2          | 2          |
| 30"                             |              | 75   | 75        | 2         | 2          | 2          |
| 36"                             |              | 75   | 75        | 3         | 2          | 2          |
| 42"                             |              | 75   | 75        | 3         | 2          | 2          |
| 48"                             |              | 75   | 75        | 3         | 2          | 2          |
| 52"                             |              | 75   | 75        | 3         | 2          | 2          |
| 60"                             |              | -  | -         | -         | -          | -          |
| 66"                             |              | -  | -         | -         | -          | -          |
| 72"                             | -            | -  | -         | -         | -          |            |
| 24"                             | 100"         | 75   | 75        | 2         | 2          | 2          |
| 30"                             |              | 75   | 75        | 3         | 2          | 2          |
| 36"                             |              | 75   | 75        | 3         | 2          | 2          |
| 42"                             |              | 75   | 75        | 3         | 2          | 2          |
| 48"                             |              | 75   | 75        | 3         | 2          | 2          |
| 52"                             |              | 75   | 75        | 4         | 2          | 2          |
| 60"                             |              | -  | -         | -         | -          | -          |
| 66"                             |              | -  | -         | -         | -          | -          |
| 72"                             | -            | -  | -         | -         | -          |            |

| LOADING & ANCHOR CAPACITY (PSF) |              |  |           |           |            |            |
|---------------------------------|--------------|--|-----------|-----------|------------|------------|
| NOMINAL DIMS                    |              | REQ'D ANCHORS AT CLUSTERS ON EACH SIDE OF VERTICAL |           |           |            |            |
| PANEL WIDTH                     | PANEL HEIGHT | (+) P.S.F  | (-) P.S.F | WOOD (WA) | CONC. (CA) | METAL (MA) |
| 24"                             | 104"         | 75   | 75        | 2         | 2          | 2          |
| 30"                             |              | 75   | 75        | 3         | 2          | 2          |
| 36"                             |              | 75   | 75        | 3         | 2          | 2          |
| 42"                             |              | 75   | 75        | 3         | 2          | 2          |
| 48"                             |              | 75   | 75        | 4         | 2          | 2          |
| 52"                             |              | 75   | 75        | 4         | 2          | 2          |
| 60"                             |              | -  | -         | -         | -          | -          |
| 66"                             |              | -  | -         | -         | -          | -          |
| 72"                             | -            | -  | -         | -         | -          |            |
| 24"                             | 108"         | 75   | 75        | 2         | 2          | 2          |
| 30"                             |              | 75   | 75        | 3         | 2          | 2          |
| 36"                             |              | 75   | 75        | 3         | 2          | 2          |
| 42"                             |              | 75   | 75        | 3         | 2          | 2          |
| 48"                             |              | 75   | 75        | 4         | 2          | 2          |
| 52"                             |              | 75   | 75        | 4         | 2          | 2          |
| 60"                             |              | -  | -         | -         | -          | -          |
| 66"                             |              | -  | -         | -         | -          | -          |
| 72"                             | -            | -  | -         | -         | -          |            |
| 24"                             | 112"         | 75   | 75        | 2         | 2          | 2          |
| 30"                             |              | 75   | 75        | 3         | 2          | 2          |
| 36"                             |              | 75   | 75        | 3         | 2          | 2          |
| 42"                             |              | 75   | 75        | 4         | 2          | 2          |
| 48"                             |              | 75   | 75        | 4         | 2          | 2          |
| 52"                             |              | 75   | 75        | 4         | 2          | 3          |
| 60"                             |              | -  | -         | -         | -          | -          |
| 66"                             |              | -  | -         | -         | -          | -          |
| 72"                             | -            | -  | -         | -         | -          |            |
| 24"                             | 116"         | 75   | 75        | 3         | 2          | 2          |
| 30"                             |              | 75   | 75        | 3         | 2          | 2          |
| 36"                             |              | 75   | 75        | 3         | 2          | 2          |
| 42"                             |              | 75   | 75        | 4         | 2          | 2          |
| 48"                             |              | 75   | 75        | 4         | 2          | 2          |
| 52"                             |              | 75   | 75        | 4         | 2          | 3          |
| 60"                             |              | -  | -         | -         | -          | -          |
| 66"                             |              | -  | -         | -         | -          | -          |
| 72"                             | -            | -  | -         | -         | -          |            |
| 24"                             | 119 1/4"     | 75   | 75        | 3         | 2          | 2          |
| 30"                             |              | 75   | 75        | 3         | 2          | 2          |
| 36"                             |              | 75   | 75        | 3         | 2          | 2          |
| 42"                             |              | 75   | 75        | 4         | 2          | 2          |
| 48"                             |              | 75   | 75        | 4         | 2          | 3          |
| 52"                             |              | 75   | 75        | 4         | 2          | 3          |
| 60"                             |              | -  | -         | -         | -          | -          |
| 66"                             |              | -  | -         | -         | -          | -          |
| 72"                             | -            | -  | -         | -         | -          |            |

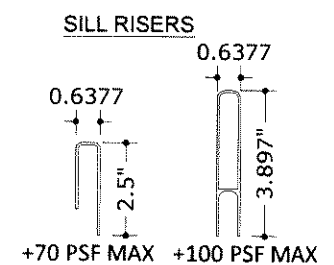
| REQ'D MAX SPACING BETWEEN CLUSTERS ( HEAD/SILL ) |           |            |            |
|--|-----------|------------|------------|
| PRESSURES  | WOOD (WA) | CONC. (CA) | METAL (MA) |
| UP TO 80 PSF                                     | 12"       | 12"        | 12"        |
| 80 PSF TO 135 PSF                                | 9"        | 10"        | 10"        |

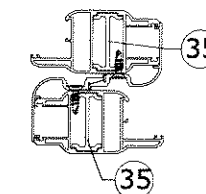
| REQ'D MAX SPACING AT JAMBS |           |            |            |
|----------------------------|-----------|------------|------------|
| ALL SIZES                  | WOOD (WA) | CONC. (CA) | METAL (MA) |
|                            | 6"        | 12"        | 12"        |

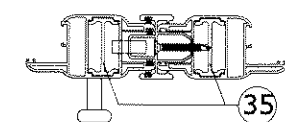
| REQ'D MAX SPACING FOR POCKET HOOK STRIP ANCHORS |           |            |            |
|---|-----------|------------|------------|
| ALL SIZES                                       | WOOD (WA) | CONC. (CA) | METAL (MA) |
|   | 6"        | 6"         | 6"         |



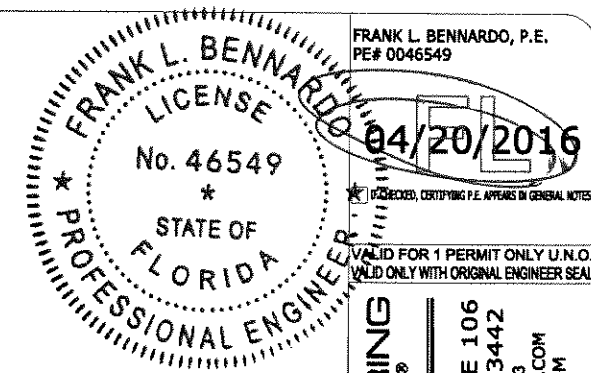
NOTE: SIZES ON CHARTS ARE PANEL DIMENSIONS ADD 2 1/4" TO HEIGHT OF PANEL FOR OVERALL FRAME HEIGHT



REINFORCEMENT 2 AT INTERLOCK



REINFORCEMENT 2 AT MEETING STILES



**ENGINEERING EXPRESS**  
 CORPORATE OFFICE:  
 160 SW 12th AVE, SUITE 106  
 DEERFIELD BEACH, FL 33442  
 P: (954) 354-0660 F: (954) 354-0443  
 E: HELLO@ENGINEERINGEXPRESS.COM  
 ENGINEERINGEXPRESS.COM  
 CERT OF AUTH #9885

**LA FINESTRA, LC**  
 2790 NW 104TH COURT  
 DORAL, FL  
 (305) 599-8093  
 FLORIDA PRODUCT APPROVAL (2) DOORS  
 2790 NW 104TH COURT, MIAMI, FL  
 FBC 5TH EDITION (2014) PRODUCT APPROVAL #, FL

| REMARKS    | DRWN | CHKD | DATE     |
|------------|------|------|----------|
| INIT ISSUE | JEM  | AJP  | 12/16/15 |

THIS DOCUMENT IS THE PROPERTY OF ENGINEERING EXPRESS, AND SHALL NOT BE REPRODUCED IN WHOLE OR PART WITHOUT WRITTEN CONSENT OF ENGINEERING EXPRESS. ALTERATIONS, ADDITIONS, OR OTHER MARKINGS TO THIS DOCUMENT ARE NOT PERMITTED AND INVALIDATE OUR CERTIFICATION.

COPYRIGHT ENGINEERING EXPRESS®  
**15-2257**  
 SCALE: N.T.S.

04/20/2016 - 5:32pm joem V:\Projects\15-2257 Florida Product Approval (2) Doors\Sliding Glass Door 2nd Submittal\Drawings\Products\approval - 2nd submittal.dwg

| LOADING & ANCHOR CAPACITY (PSF) |              |  |           |           |              |            | LOADING & ANCHOR CAPACITY (PSF)                    |              |           |           |           |            |            |
|---------------------------------|--------------|--|-----------|-----------|--------------|------------|--|--------------|-----------|-----------|-----------|------------|------------|
| NOMINAL DIMS                    |              | REQ'D ANCHORS AT CLUSTERS ON EACH SIDE OF VERTICAL |           |           | NOMINAL DIMS |            | REQ'D ANCHORS AT CLUSTERS ON EACH SIDE OF VERTICAL |              |           |           |           |            |            |
| PANEL WIDTH                     | PANEL HEIGHT | (+) P.S.F  | (-) P.S.F | WOOD (WA) | CONC. (CA)   | METAL (MA) | PANEL WIDTH  | PANEL HEIGHT | (+) P.S.F | (-) P.S.F | WOOD (WA) | CONC. (CA) | METAL (MA) |
| 24"                             | 80"          | 70   | 100       | 2         | 2            | 2          | 24"  | 104"         | 70        | 100       | 3         | 2          | 2          |
| 30"                             |              | 70   | 100       | 3         | 2            | 2          | 30"  |              | 70        | 100       | 3         | 2          | 2          |
| 36"                             |              | 70   | 100       | 3         | 2            | 2          | 36"  |              | 70        | 100       | 4         | 2          | 2          |
| 42"                             |              | 70   | 100       | 3         | 2            | 2          | 42"  |              | 70        | 100       | 4         | 2          | 3          |
| 48"                             |              | 70   | 100       | 3         | 2            | 2          | 48"  |              | 70        | 100       | 5         | 2          | 3          |
| 52"                             |              | 70   | 95        | 3         | 2            | 2          | 52"  |              | 70        | 95        | 5         | 2          | 3          |
| 62"                             |              | 69   | 79        | 3         | 2            | 2          | 62"  |              | 70        | 80        | 4         | 2          | 3          |
| 66"                             |              | 65   | 75        | 3         | 2            | 2          | 66"  |              | 65        | 75        | 4         | 2          | 2          |
| 72"                             |              | 60   | 68        | 3         | 2            | 2          | 72"  |              | 60        | 68        | 4         | 2          | 2          |
| 24"                             |              | 84"  | 70        | 100       | 2            | 2          | 2  |              | 24"       | 108"      | 70        | 100        | 3          |
| 30"                             | 70           |  | 100       | 3         | 2            | 2          | 30"  | 70           | 100       |           | 3         | 2          | 3          |
| 36"                             | 70           |  | 100       | 3         | 2            | 2          | 36"  | 70           | 100       |           | 4         | 2          | 3          |
| 42"                             | 70           |  | 100       | 3         | 2            | 2          | 42"  | 70           | 100       |           | 4         | 2          | 3          |
| 48"                             | 70           |  | 100       | 4         | 2            | 2          | 48"  | 70           | 100       |           | 5         | 2          | 3          |
| 52"                             | 70           |  | 95        | 4         | 2            | 2          | 52"  | 70           | 95        |           | 5         | 2          | 3          |
| 62"                             | 69           |  | 79        | 3         | 2            | 2          | 62"  | 70           | 80        |           | 5         | 2          | 3          |
| 66"                             | 65           |  | 75        | 3         | 2            | 2          | 66"  | 65           | 75        |           | 4         | 2          | 3          |
| 72"                             | 60           |  | 68        | 3         | 2            | 2          | 72"  | 60           | 68        |           | 4         | 2          | 3          |
| 24"                             | 88"          |  | 70        | 100       | 2            | 2          | 2  | 24"          | 112"      |           | 70        | 100        | 3          |
| 30"                             |              | 70   | 100       | 3         | 2            | 2          | 30"  | 70           |           | 100       | 4         | 2          | 2          |
| 36"                             |              | 70   | 100       | 3         | 2            | 2          | 36"  | 70           |           | 100       | 4         | 2          | 3          |
| 42"                             |              | 70   | 100       | 4         | 2            | 2          | 42"  | 70           |           | 100       | 5         | 2          | 3          |
| 48"                             |              | 70   | 100       | 4         | 2            | 2          | 48"  | 70           |           | 100       | 5         | 2          | 3          |
| 52"                             |              | 70   | 95        | 4         | 2            | 2          | 52"  | 70           |           | 95        | 5         | 2          | 3          |
| 62"                             |              | 70   | 80        | 4         | 2            | 2          | 62"  | 69           |           | 79        | 5         | 2          | 3          |
| 66"                             |              | 65   | 75        | 3         | 2            | 2          | 66"  | 65           |           | 75        | 5         | 2          | 3          |
| 72"                             |              | 60   | 68        | 3         | 2            | 2          | 72"  | 60           |           | 68        | 4         | 2          | 3          |
| 24"                             |              | 92"  | 70        | 100       | 3            | 2          | 2  | 24"          |           | 116"      | 70        | 100        | 3          |
| 30"                             | 70           |  | 100       | 3         | 2            | 2          | 30"  | 70           | 100       |           | 4         | 2          | 2          |
| 36"                             | 70           |  | 100       | 3         | 2            | 2          | 36"  | 70           | 100       |           | 4         | 2          | 3          |
| 42"                             | 70           |  | 100       | 4         | 2            | 2          | 42"  | 70           | 100       |           | 5         | 2          | 3          |
| 48"                             | 70           |  | 100       | 4         | 2            | 2          | 48"  | 70           | 100       |           | 5         | 2          | 3          |
| 52"                             | 70           |  | 95        | 4         | 2            | 2          | 52"  | 70           | 95        |           | 5         | 2          | 3          |
| 62"                             | 70           |  | 80        | 4         | 2            | 2          | 62"  | 70           | 80        |           | 5         | 2          | 3          |
| 66"                             | 65           |  | 75        | 4         | 2            | 2          | 66"  | 65           | 75        |           | 5         | 2          | 3          |
| 72"                             | 60           |  | 68        | 3         | 2            | 2          | 72"  | 60           | 68        |           | 5         | 2          | 3          |
| 24"                             | 96"          |  | 70        | 100       | 3            | 2          | 2  | 24"          | 119 1/4"  |           | 70        | 100        | 3          |
| 30"                             |              | 70   | 100       | 3         | 2            | 2          | 30"  | 70           |           | 100       | 4         | 2          | 2          |
| 36"                             |              | 70   | 100       | 4         | 2            | 2          | 36"  | 70           |           | 100       | 4         | 2          | 3          |
| 42"                             |              | 70   | 100       | 4         | 2            | 2          | 42"  | 70           |           | 100       | 5         | 2          | 3          |
| 48"                             |              | 70   | 100       | 4         | 2            | 3          | 48"  | 70           |           | 100       | 5         | 3          | 3          |
| 52"                             |              | 70   | 95        | 4         | 2            | 3          | 52"  | 70           |           | 95        | 5         | 3          | 3          |
| 62"                             |              | 70   | 80        | 4         | 2            | 2          | 62"  | 70           |           | 80        | 5         | 2          | 3          |
| 66"                             |              | 65   | 75        | 4         | 2            | 2          | 66"  | 65           |           | 75        | 5         | 2          | 3          |
| 72"                             |              | 60   | 68        | 4         | 2            | 2          | 72"  | 60           |           | 68        | 5         | 2          | 3          |
| 24"                             |              | 100"   | 70        | 100       | 3            | 2          | 2  | 24"          |           | 126       | 70        | 100        | 3          |
| 30"                             | 70           |  | 100       | 3         | 2            | 2          | 30"  | 70           | 100       |           | 4         | 2          | 2          |
| 36"                             | 70           |  | 100       | 4         | 2            | 2          | 36"  | 70           | 100       |           | 5         | 2          | 3          |
| 42"                             | 70           |  | 100       | 4         | 2            | 2          | 42"  | 70           | 100       |           | 5         | 2          | 3          |
| 48"                             | 70           |  | 100       | 4         | 2            | 3          | 48"  | 70           | 99        |           | 6         | 3          | 3          |
| 52"                             | 70           |  | 95        | 4         | 2            | 3          | 52"  | 70           | 93        |           | 6         | 3          | 3          |
| 62"                             | 69           |  | 79        | 4         | 2            | 3          | 62"  | 70           | 80        |           | 6         | 3          | 3          |
| 66"                             | 65           |  | 75        | 4         | 2            | 2          | 66"  | 65           | 75        |           | 5         | 3          | 3          |
| 72"                             | 60           |  | 68        | 4         | 2            | 2          | 72"  | 60           | 68        |           | 5         | 2          | 3          |

| LOADING & ANCHOR CAPACITY (PSF) |              |  |           |           |            |            |   |
|---------------------------------|--------------|--|-----------|-----------|------------|------------|---|
| NOMINAL DIMS                    |              | REQ'D ANCHORS AT CLUSTERS ON EACH SIDE OF VERTICAL |           |           |            |            |   |
| PANEL WIDTH                     | PANEL HEIGHT | (+) P.S.F  | (-) P.S.F | WOOD (WA) | CONC. (CA) | METAL (MA) |   |
| 24"                             | 132"         | 70   | 100       | 4         | 2          | 2          |   |
| 30"                             |              | 70   | 100       | 4         | 2          | 3          |   |
| 36"                             |              | 70   | 100       | 5         | 2          | 3          |   |
| 42"                             |              | 70   | 100       | 5         | 3          | 3          |   |
| 48"                             |              | 70   | 98        | 6         | 3          | 4          |   |
| 52"                             |              | 70   | 92        | 6         | 3          | 4          |   |
| 62"                             |              | 70   | 80        | 6         | 3          | 3          |   |
| 66"                             |              | 65   | 75        | 6         | 3          | 3          |   |
| 72"                             |              | -  | -         | -         | -          | -          | - |
| 24"                             |              | 138"   | 70        | 100       | 4          | 2          | 2 |
| 30"                             | 70           |  | 100       | 4         | 2          | 3          |   |
| 36"                             | 70           |  | 100       | 5         | 2          | 3          |   |
| 42"                             | 70           |  | 100       | 6         | 2          | 3          |   |
| 48"                             | 70           |  | 97        | 6         | 3          | 4          |   |
| 52"                             | 70           |  | 91        | 6         | 3          | 4          |   |
| 62"                             | 69           |  | 80        | 6         | 3          | 4          |   |
| 66"                             | -            |  | -         | -         | -          | -          | - |
| 72"                             | -            |  | -         | -         | -          | -          | - |
| 24"                             | 141 1/2"     |  | 70        | 100       | 4          | 2          | 2 |
| 30"                             |              | 70   | 100       | 5         | 2          | 3          |   |
| 36"                             |              | 70   | 100       | 5         | 2          | 3          |   |
| 42"                             |              | 70   | 100       | 6         | 2          | 4          |   |
| 48"                             |              | 70   | 97        | 6         | 3          | 4          |   |
| 52"                             |              | 70   | 91        | 6         | 3          | 4          |   |
| 62"                             |              | 69   | 80        | 6         | 3          | 4          |   |
| 66"                             |              | -  | -         | -         | -          | -          | - |
| 72"                             |              | -  | -         | -         | -          | -          | - |

REQ'D MAX SPACING BETWEEN CLUSTERS ( HEAD/SILL )

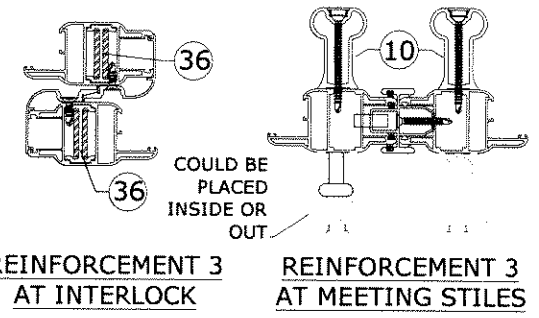
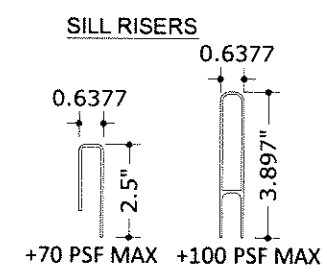
| PRESSURES         | WOOD (WA) | CONC. (CA) | METAL (MA) |
|-------------------|-----------|------------|------------|
| UP TO 80 PSF      | 12"       | 12"        | 12"        |
| 80 PSF TO 135 PSF | 9"        | 10"        | 10"        |

REQ'D MAX SPACING AT JAMBS

| ALL SIZES | WOOD (WA) | CONC. (CA) | METAL (MA) |
|-----------|-----------|------------|------------|
|           | 6"        | 12"        | 12"        |

REQ'D MAX SPACING FOR POCKET HOOK STRIP ANCHORS

| ALL SIZES | WOOD (WA) | CONC. (CA) | METAL (MA) |
|-----------|-----------|------------|------------|
|           | 6"        | 6"         | 6"         |



NOTE: SIZES ON CHARTS ARE PANEL DIMENSIONS ADD 2 1/4" TO HEIGHT OF PANEL FOR OVERALL FRAME HEIGHT

FRANK L. BERNARDO, P.E.  
No. 46544  
04/20/2016  
STATE OF FLORIDA  
ENGINEERING EXPRESS  
CORPORATE OFFICE:  
160 SW 12th AVE, SUITE 108  
DEERFIELD BEACH, FL 33442  
P: (954) 354-0660 F: (954) 354-0443  
E: HELLO@ENGINEERINGEXPRESS.COM  
CERT OF AUTH #9885

**LA FINESTRA, LC**  
DORAL, FL  
2790 NW 104TH COURT  
(305) 599-8093  
FLORIDA PRODUCT APPROVAL (2) DOORS  
2790 NW 104TH COURT, MIAMI, FL  
FBC 5TH EDITION (2014) PRODUCT APPROVAL #, FL

| DRWN | CHKD | DATE     |
|------|------|----------|
| JEM  | AJP  | 12/16/15 |

REMARKS  
INIT ISSUE

THIS DOCUMENT IS THE PROPERTY OF ENGINEERING EXPRESS, AND SHALL NOT BE REPRODUCED IN WHOLE OR PART WITHOUT WRITTEN CONSENT OF ENGINEERING EXPRESS. ALTERATIONS, ADDITIONS, OR OTHER MARKINGS TO THIS DOCUMENT ARE NOT PERMITTED AND INVALIDATE OUR CERTIFICATION.

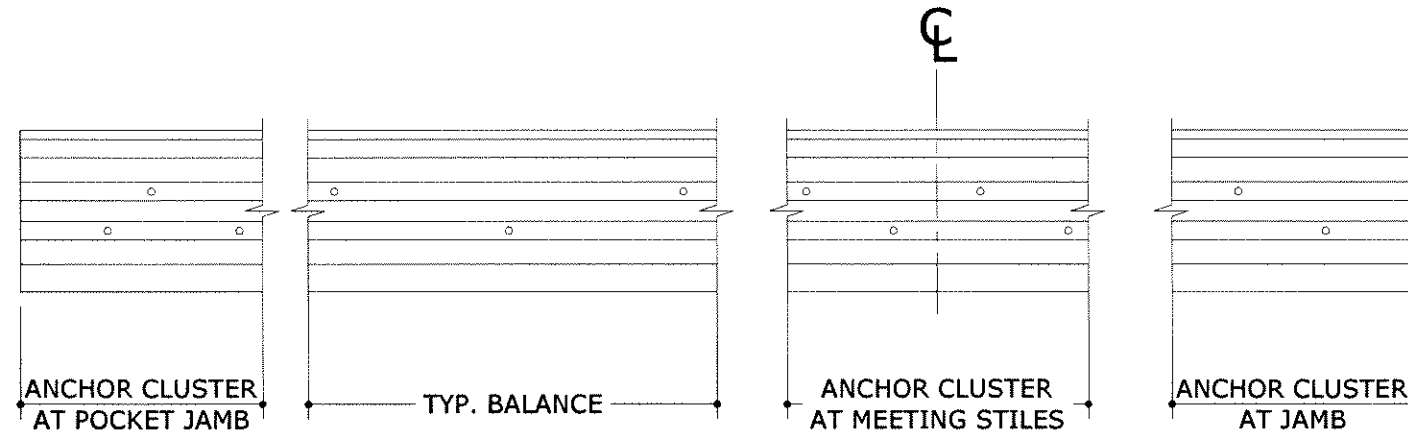
COPYRIGHT ENGINEERING EXPRESS ©  
**15-2257**  
SCALE: N.T.S.  
of 28  
**5**

V:\Projects\15-2257 Florida Product Approval (2) Doors\Sliding Glass Door 2nd Submittal\Drawings\Product approval - 2nd submittal.dwg

joem

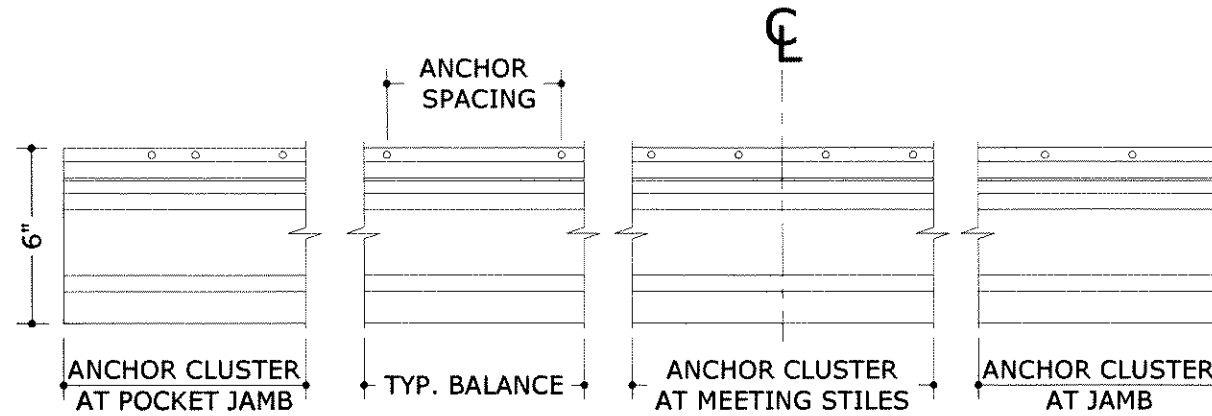
04/20/2016 - 5:48pm

## DOOR HEADER ANCHOR LAYOUT



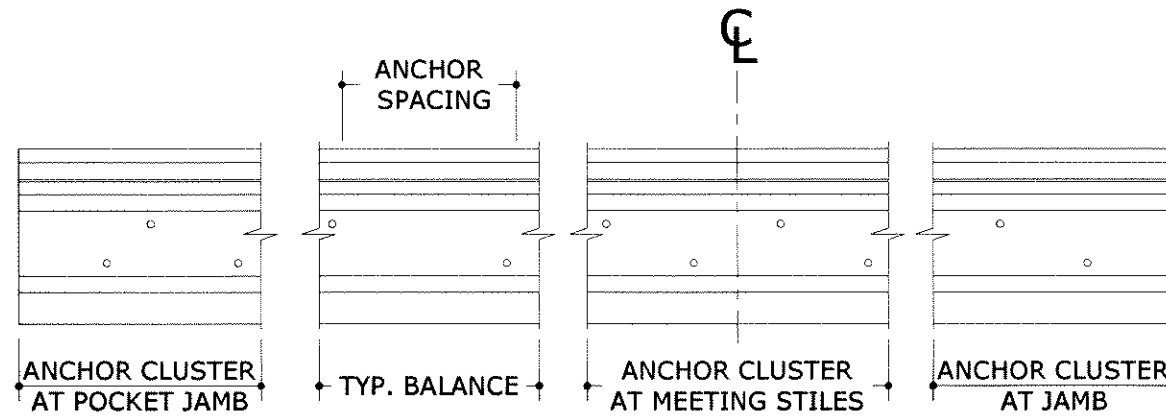
EXTERIOR

## DOOR SILL ANCHOR LAYOUT



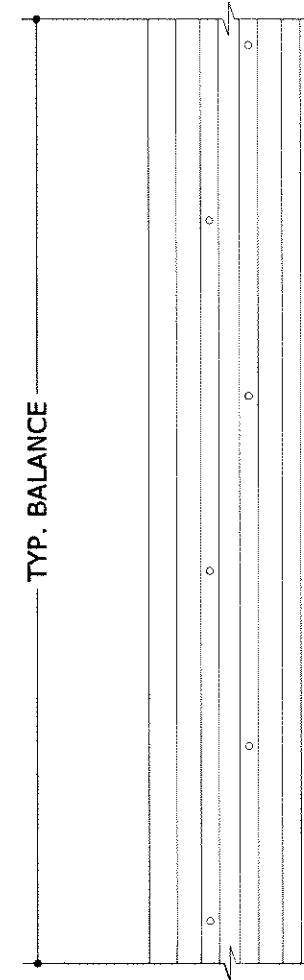
EXTERIOR

## ALTERNATE DOOR SILL ANCHOR LAYOUT



EXTERIOR

## DOOR JAMB ANCHOR LAYOUT

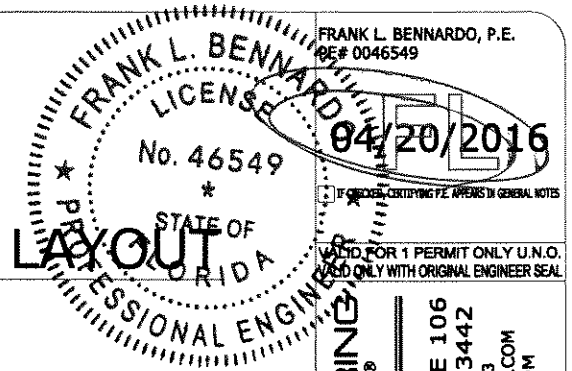


### ANCHOR TYPES:

"CA":  $\frac{1}{4}$ " ELCO ULTRACON, 1  $\frac{3}{4}$ " EMBEDMENT INTO 2846PSI CONCRETE MIN. WITH 2  $\frac{1}{2}$ " EDGE DISTANCE AND 3" MIN SPACING BETWEEN ANCHORS.

"WA":  $\frac{1}{4}$ " ELCO ULTRACON, 1  $\frac{1}{2}$ " MIN EMBEDMENT INTO SOUTHERN YELLOW PINE #2 WOOD WITH 1" MIN EDGE DISTANCE AND 1" MIN SPACING BETWEEN ANCHORS.

"MA":  $\frac{1}{4}$ "-14 ELCO DRILLFLEX, INTO  $\frac{1}{8}$ " ALUMINUM (6063-T5 MIN) OR  $\frac{1}{8}$ " STEEL (A36 MIN),  $\frac{7}{8}$ " MIN EDGE DISTANCE AND 1" MIN SPACING BETWEEN ANCHORS.



**ENGINEERING EXPRESS**  
 CORPORATE OFFICE:  
 160 SW 12th AVE, SUITE 106  
 DEERFIELD BEACH, FL 33442  
 P: (954) 354-0660 F: (954) 354-0443  
 E: HELLO@ENGINEERINGEXPRESS.COM  
 CERT OF AUTH #9885

**LA FINESTRA, LC**  
 2790 NW 104TH COURT  
 DORAL, FL  
 (305) 599-8093  
 FLORIDA PRODUCT APPROVAL (2) DOORS  
 2790 NW 104TH COURT, MIAMI, FL  
 FBC 5TH EDITION (2014) PRODUCT APPROVAL #, FL

| REMARKS    | DRWN | CHKD | DATE     |
|------------|------|------|----------|
| INIT ISSUE | JEM  | AJP  | 12/16/15 |
|            |      |      |          |
|            |      |      |          |
|            |      |      |          |

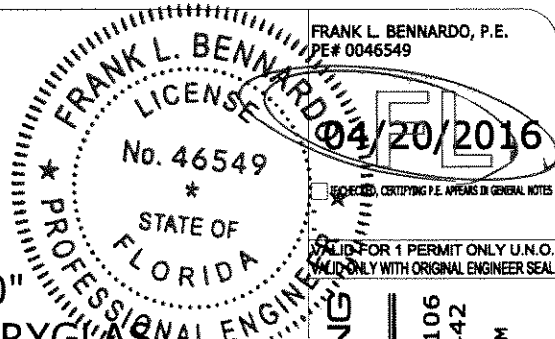
THIS DOCUMENT IS THE PROPERTY OF ENGINEERING EXPRESS, AND SHALL NOT BE REPRODUCED IN WHOLE OR PART WITHOUT WRITTEN CONSENT OF ENGINEERING EXPRESS. ALTERATIONS, ADDITIONS, OR OTHER MARKINGS TO THIS DOCUMENT ARE NOT PERMITTED AND INVALIDATE OUR CERTIFICATION.

COPYRIGHT ENGINEERING EXPRESS ©

15-2257  
 SCALE: N.T.S.  
 6/28

C:\Users\joem\appdata\local\Temp\AcPublish\_1004415-2257\_02c Product approval - 2nd submittal.dwg

FRANK L. BENNARDO, P.E.  
PE# 0046549  
04/20/2016  
VALID FOR 1 PERMIT ONLY U.S.O.  
VALID ONLY WITH ORIGINAL ENGINEER SEAL

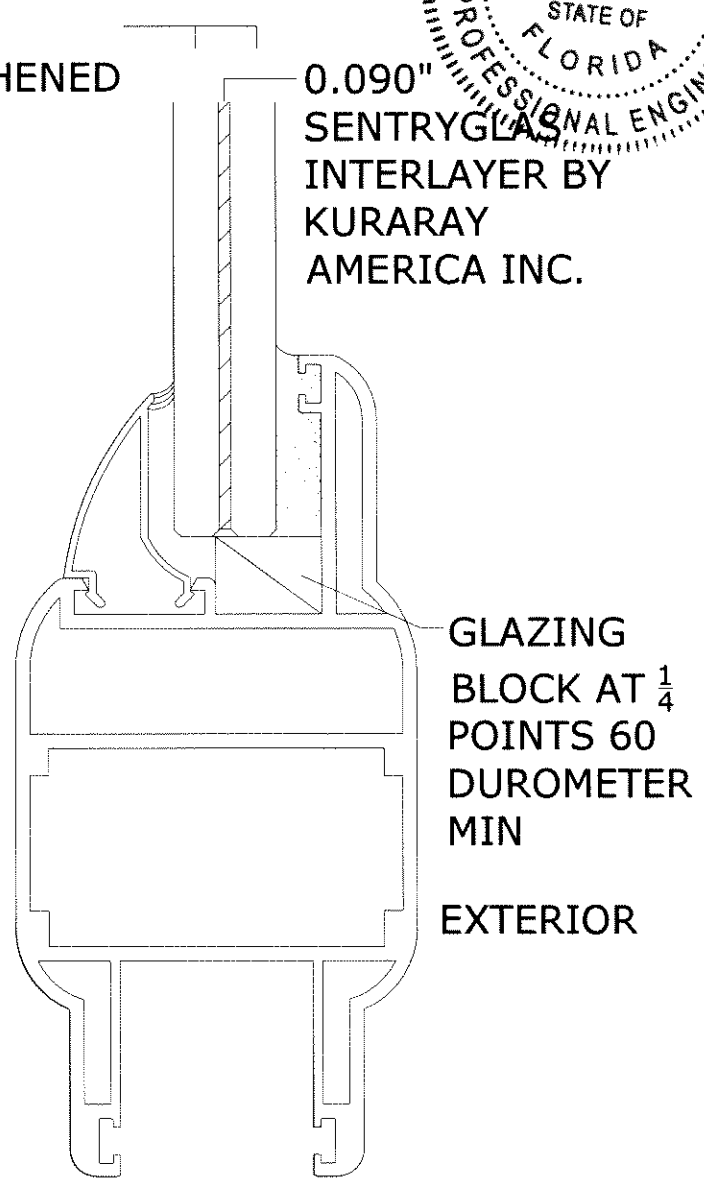
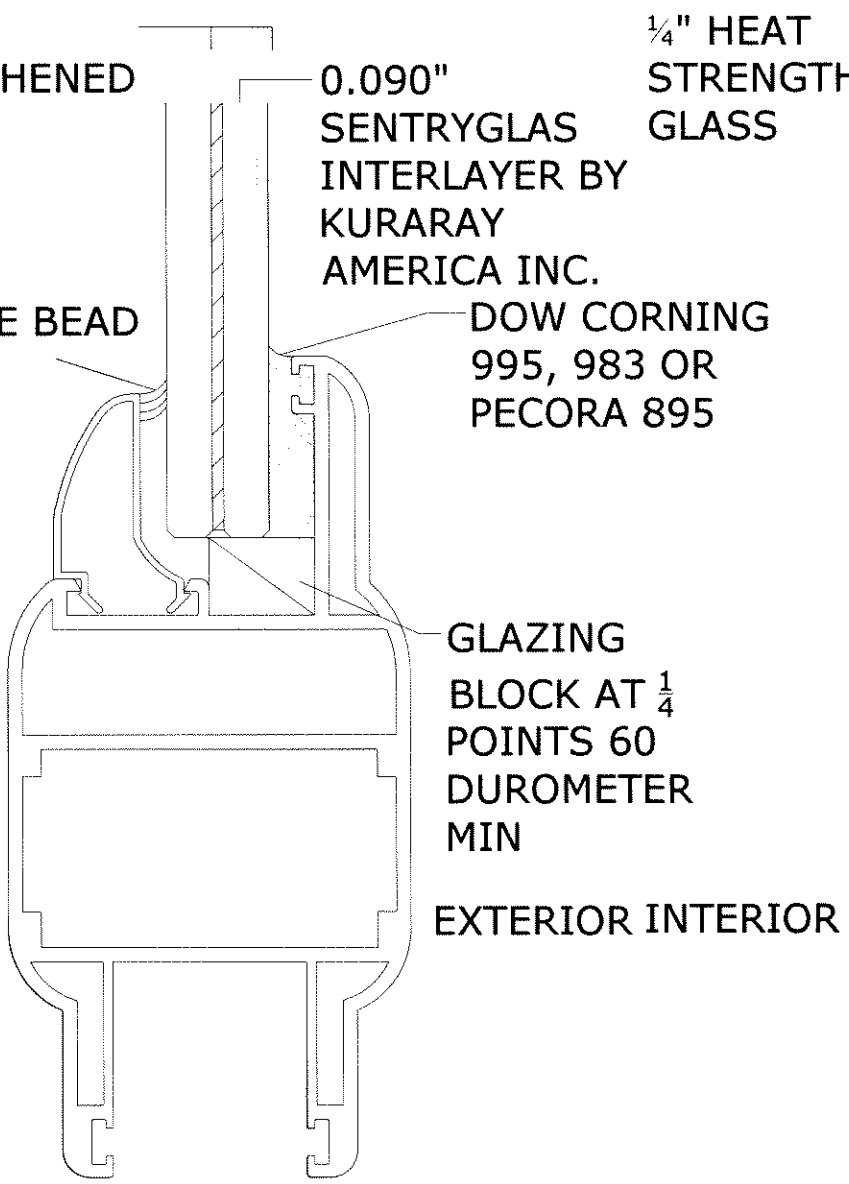
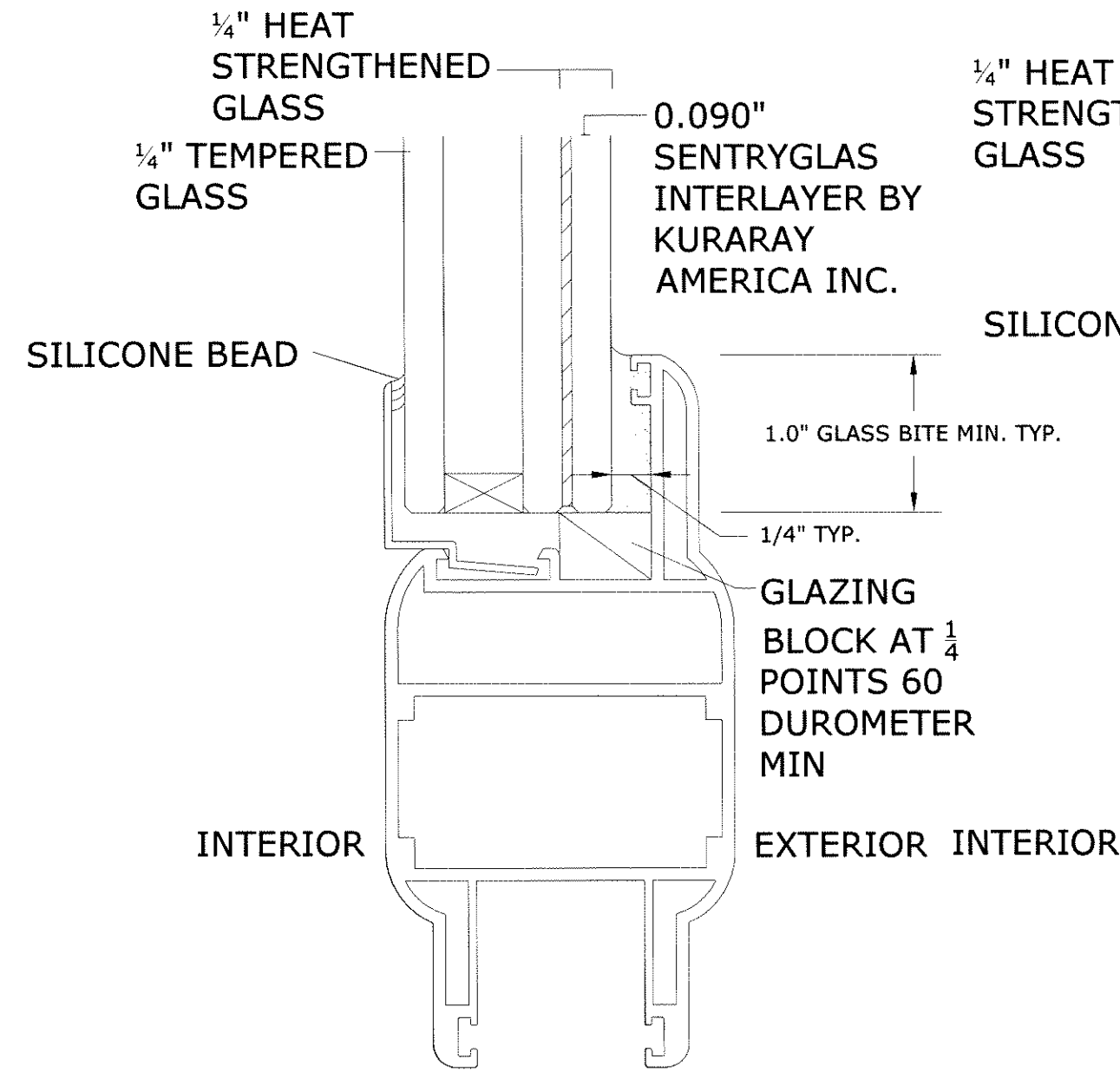


**ENGINEERING EXPRESS**  
CORPORATE OFFICE:  
160 SW 12th AVE, SUITE 106  
DEERFIELD BEACH, FL 33442  
P: (954) 354-0660 F: (954) 354-0443  
E: HELLO@ENGINEERINGEXPRESS.COM  
ENGINEERINGEXPRESS.COM  
CERT OF AUTH #9885

**LA FINESTRA, LC**  
2790 NW 104TH COURT  
DORAL, FL  
(305) 599-8093  
FLORIDA PRODUCT APPROVAL (2) DOORS  
2790 NW 104TH COURT, MIAMI, FL  
FBC 5TH EDITION (2014) PRODUCT APPROVAL #, FL

| REMARKS   | DRWN | CHKD | DATE     |
|---|------|------|----------|
| INIT ISSUE  | JEM  | AJP  | 12/16/15 |
| THIS DOCUMENT IS THE PROPERTY OF ENGINEERING EXPRESS AND SHALL NOT BE REPRODUCED IN WHOLE OR PART WITHOUT WRITTEN CONSENT OF ENGINEERING EXPRESS. ALTERATIONS, ADDITIONS OR OTHER MARKINGS TO THIS DOCUMENT ARE NOT PERMITTED AND INVALIDATE OUR CERTIFICATION. |      |      |          |

COPYRIGHT ENGINEERING EXPRESS ©  
**15-2257**  
SCALE: N.T.S.  
7



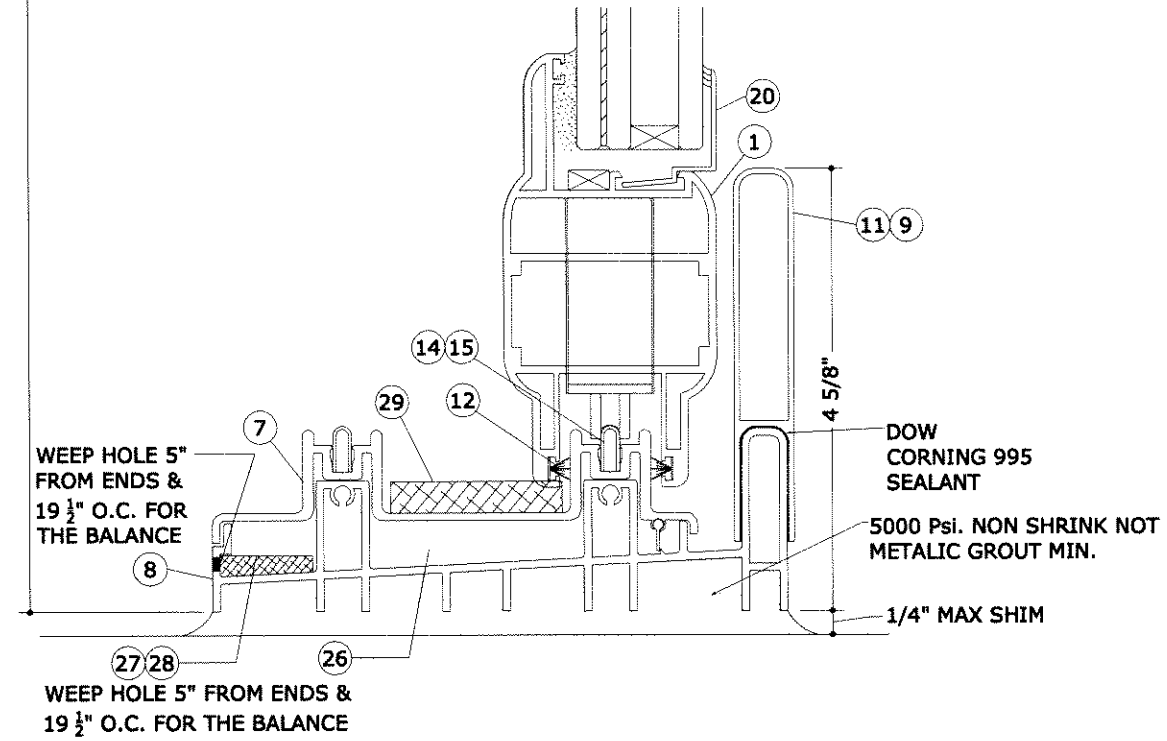
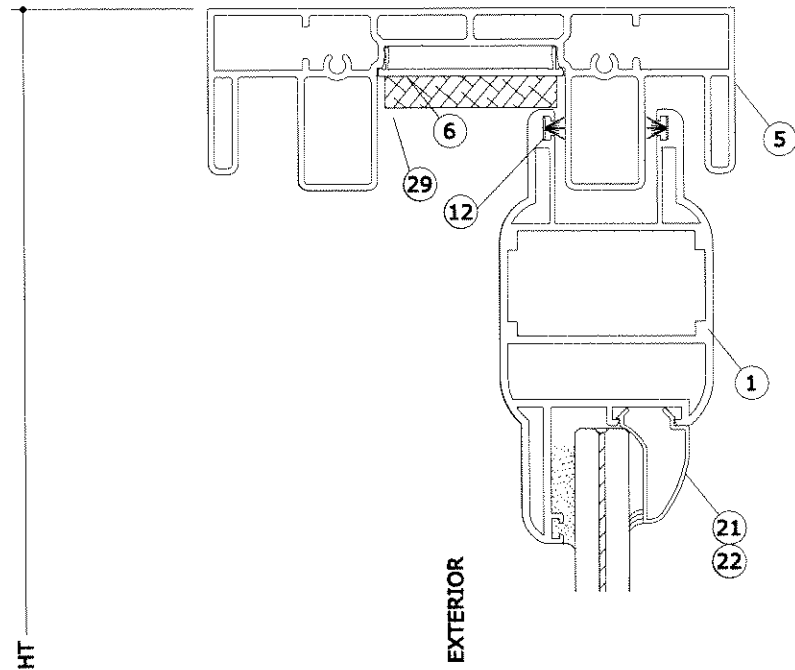
**NOTES:**  
REFER TO SHEET 3 FOR ALLOWABLE PRESSURES APPLICABLE FOR ALL GLASS TYPES HEREIN.  
EXTRUDED GLAZING BEADS ARE A NON-STRUCTURAL COMPONENT.  
ALL GLASS CAPACITIES HAVE BEEN DESIGNED PER ASTM E-1300-04

V:\Projects\15-2257 Florida Product Approval (2) Doors\Sliding Glass Door 2nd Submittal\Drawings\Product approval - 2nd Submittal.dwg

joem

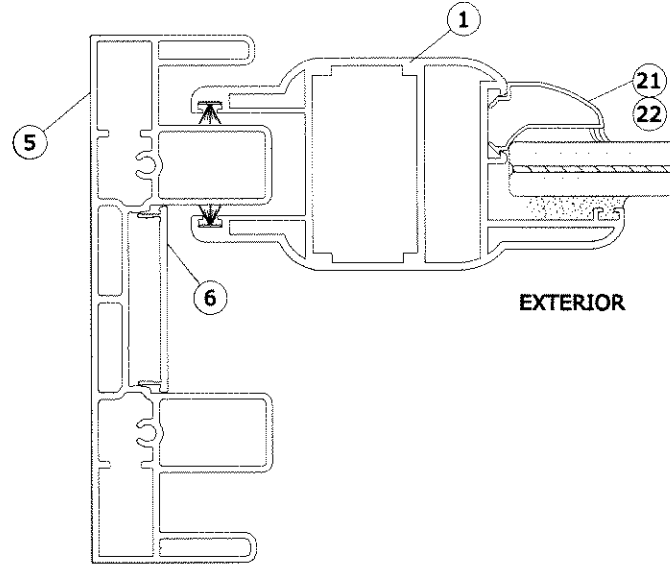
04/20/2016 - 5:45pm

**1** TYPICAL HEADER SECTION  
8 6" = 1'-0" VERT SECT

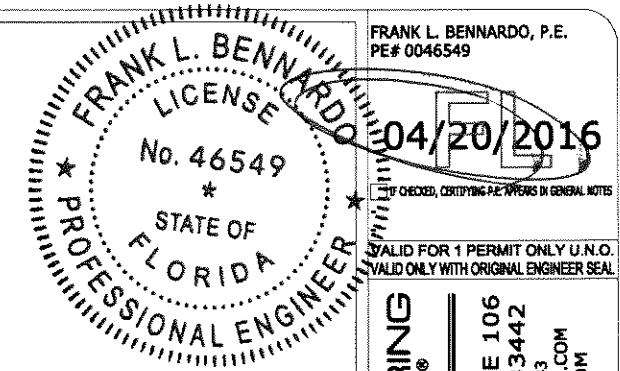
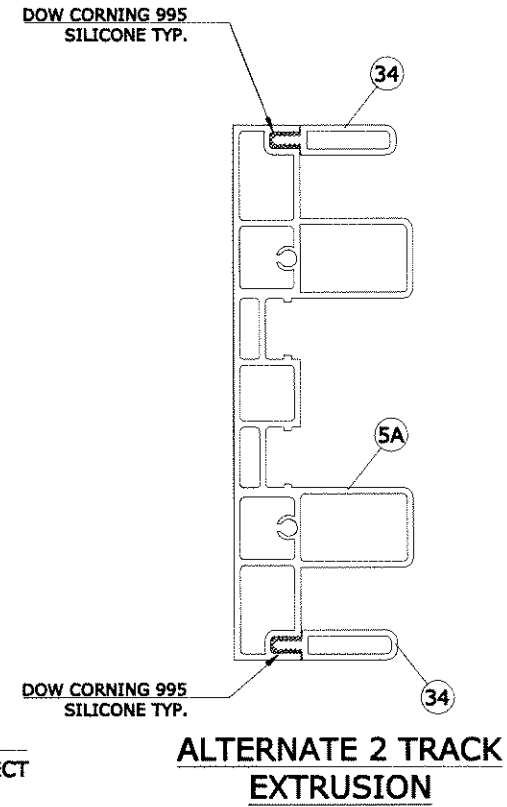


**2** TYPICAL SILL SECTION  
8 6" = 1'-0" VERT SECT

# 2 TRACK



**3** TYPICAL JAMB SECTION  
8 6" = 1'-0" VERT SECT



FRANK L. BENNARDO, P.E.  
PE# 0046549

VALID FOR 1 PERMIT ONLY U.N.O.  
VALID ONLY WITH ORIGINAL ENGINEER SEAL

**ENGINEERING EXPRESS**  
CORPORATE OFFICE:  
160 SW 12TH AVE, SUITE 106  
DEERFIELD BEACH, FL 33442  
P: (954) 354-0660 F: (954) 354-0443  
E: HELLO@ENGINEERINGEXPRESS.COM  
ENGINEERINGEXPRESS.COM  
CERT OF AUTH #9885

**LA FINESTRA, LC**  
2790 NW 104TH COURT  
DORAL, FL  
(305) 599-8093  
FLORIDA PRODUCT APPROVAL (2) DOORS  
2790 NW 104TH COURT, MIAMI, FL  
FBC 5TH EDITION (2014) PRODUCT APPROVAL #, FL

| DRWN | CHKD | DATE     |
|------|------|----------|
| JEM  | AJP  | 12/16/15 |

REMARKS  
INIT ISSUE

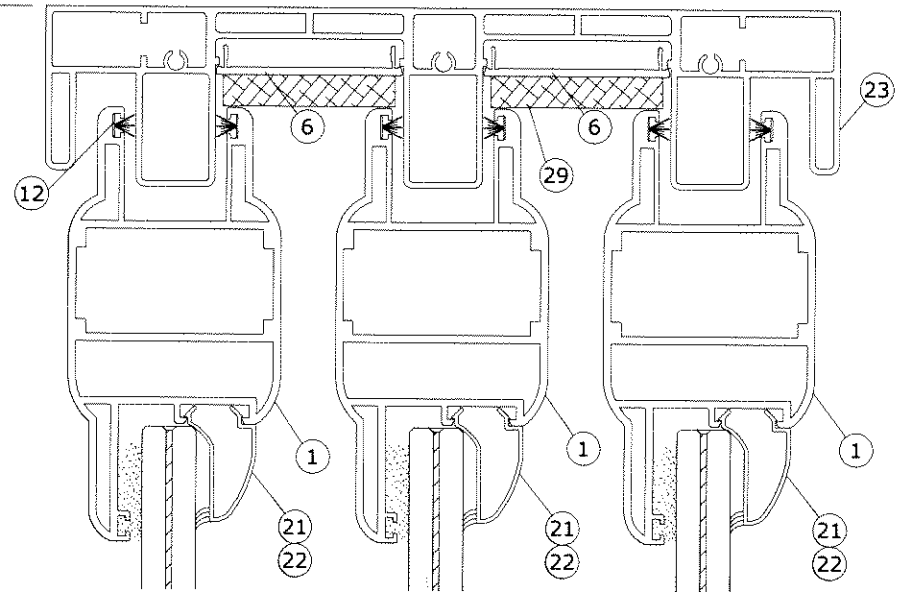
THIS DOCUMENT IS THE PROPERTY OF ENGINEERING EXPRESS, AND SHALL NOT BE REPRODUCED IN WHOLE OR PART WITHOUT WRITTEN CONSENT OF ENGINEERING EXPRESS. ALTERATIONS, ADDITIONS, OR OTHER MARKINGS TO THIS DOCUMENT ARE NOT PERMITTED AND INVALIDATE OUR CERTIFICATION.

COPYRIGHT ENGINEERING EXPRESS ©  
**15-2257**  
SCALE: N.T.S.



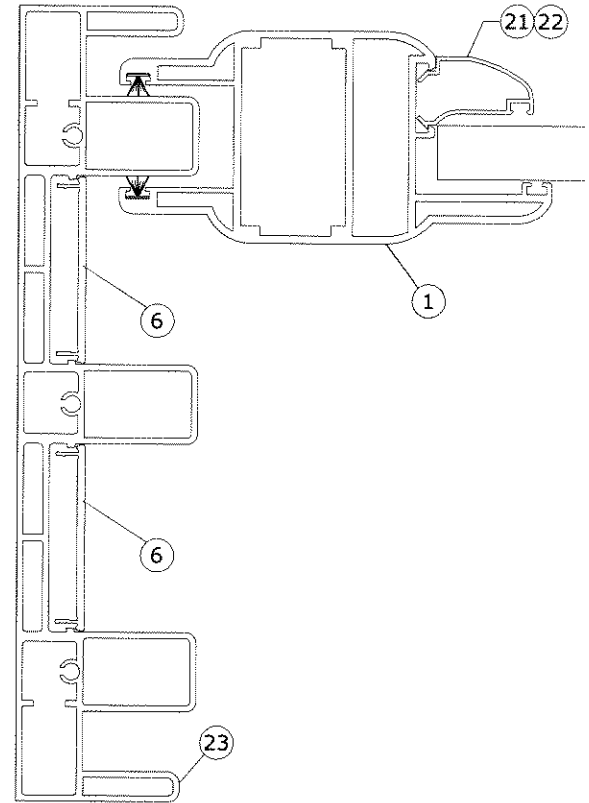
V:\Projects\15-2257 Florida Product Approval (2) Doors\Sliding Glass Door 2nd Submittal\Drawings\Products\product approval - 2nd submittal.dwg  
 04/20/2016 - 5:45pm joem

**1** TYPICAL HEADER SECTION  
 7 6" = 1'-0" VERT SECT

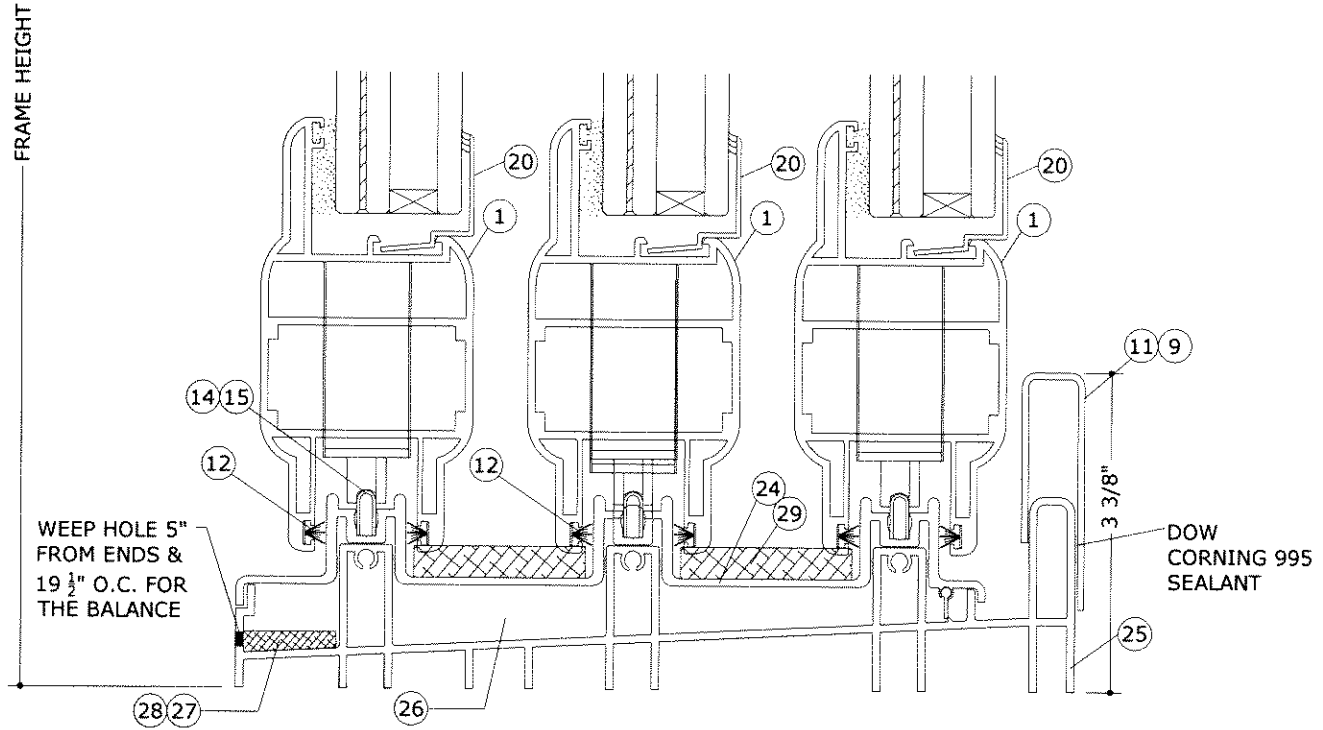


# 3 TRACK

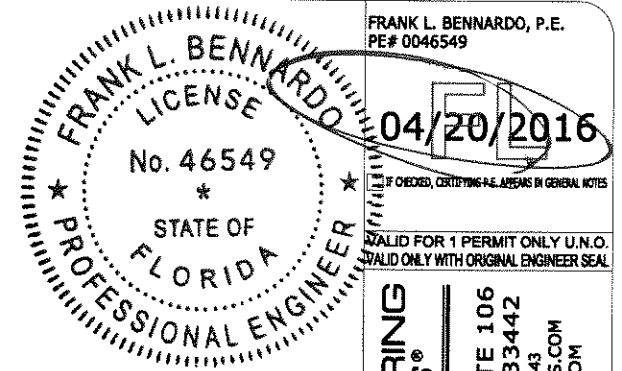
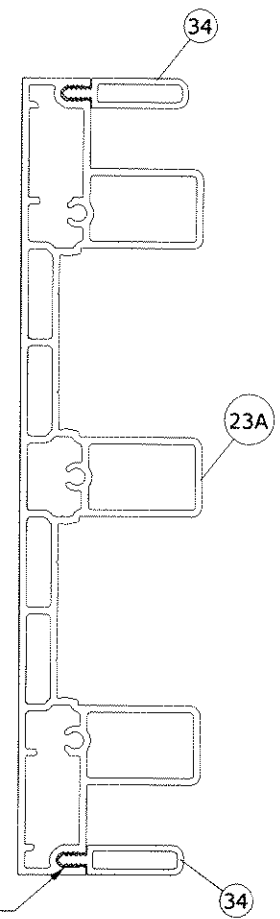
**3** TYPICAL JAMB SECTION  
 7 6" = 1'-0" VERT SECT



**2** TYPICAL SILL SECTION  
 7 6" = 1'-0" VERT SECT



ALTERNATE 3 TRACK EXTRUSION  
 DOW CORNING 995 SILICONE TYP.



FRANK L. BENNARDO, P.E.  
 PE# 0046549  
 LICENSE No. 46549  
 STATE OF FLORIDA  
 PROFESSIONAL ENGINEER  
 VALID FOR 1 PERMIT ONLY U.N.O.  
 VALID ONLY WITH ORIGINAL ENGINEER SEAL

**ENGINEERING EXPRESS®**  
 CORPORATE OFFICE:  
 160 SW 12th AVE, SUITE 106  
 DEERFIELD BEACH, FL 33442  
 P: (954) 354-0660 F: (954) 354-0443  
 E: HELLO@ENGINEERINGEXPRESS.COM  
 ENGINEERINGEXPRESS.COM  
 CERT OF AUTH #9885

**LA FINESTRA, LC**  
 2790 NW 104TH COURT  
 DORAL, FL  
 (305) 599-8093

FLORIDA PRODUCT APPROVAL (2) DOORS  
 2790 NW 104TH COURT, MIAMI, FL  
 FBC 5TH EDITION (2014) PRODUCT APPROVAL #, FL

| REMARKS | INIT | ISSUE | DRWN | CHKD | DATE     |
|---------|------|-------|------|------|----------|
|         |      |       | JEM  | AJP  | 12/18/15 |

THIS DOCUMENT IS THE PROPERTY OF ENGINEERING EXPRESS, AND SHALL NOT BE REPRODUCED IN WHOLE OR PART WITHOUT WRITTEN CONSENT OF ENGINEERING EXPRESS. ALTERATIONS, ADDITIONS, OR OTHER MARKINGS TO THIS DOCUMENT ARE NOT PERMITTED AND INVALIDATE OUR CERTIFICATION.

COPYRIGHT ENGINEERING EXPRESS®  
**15-2257**  
 SCALE: N.T.S.  
 28

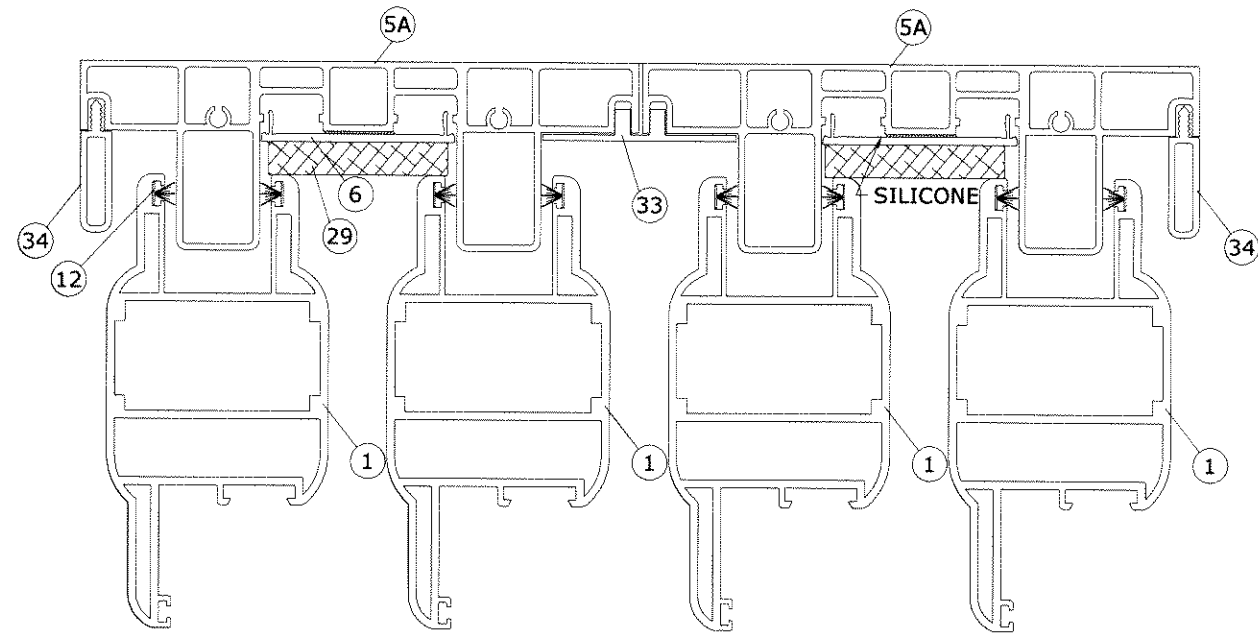
# 4 TRACK

FRANK L. BENNARDO, P.E.  
PE# 0046549

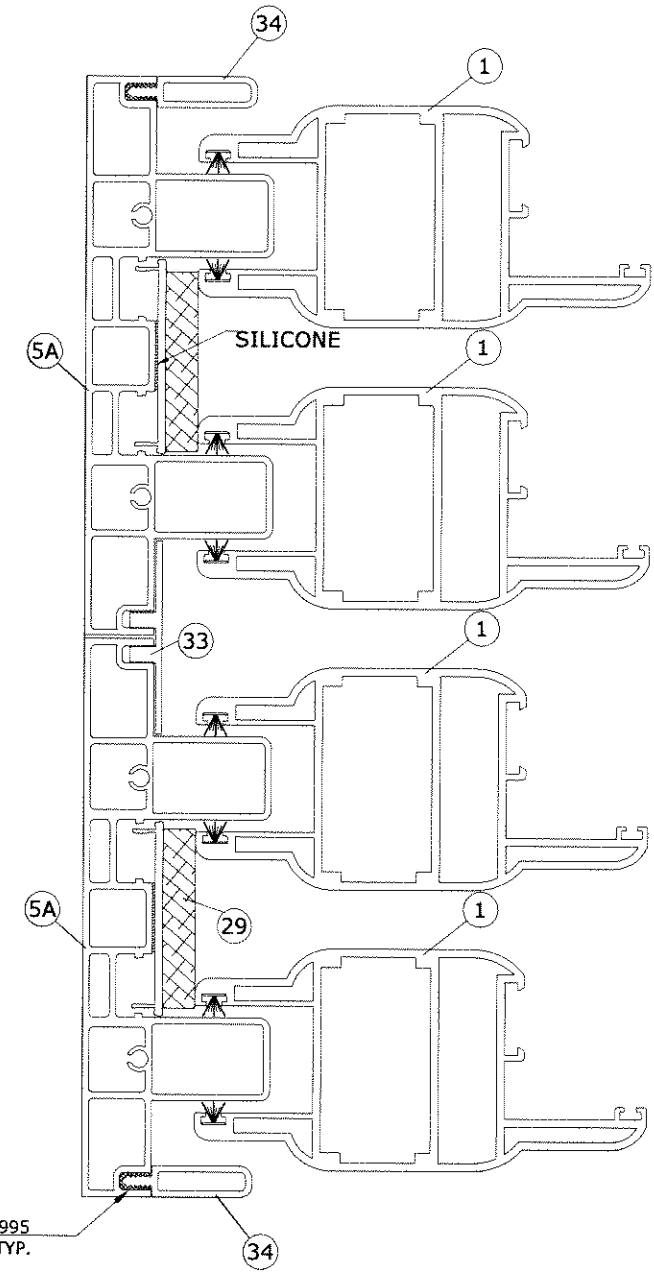
04/20/2016

FRANK L. BENNARDO  
LICENSE  
No. 46549  
STATE OF FLORIDA  
PROFESSIONAL ENGINEER

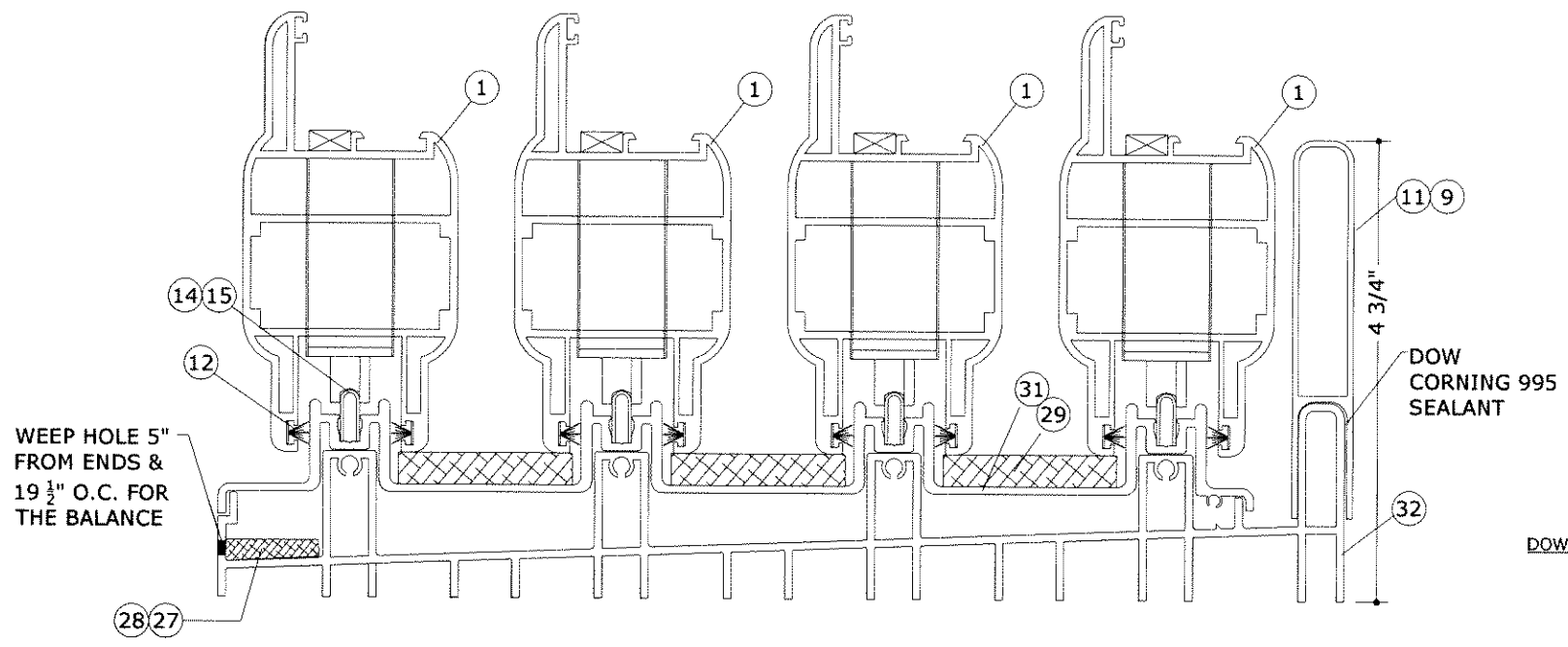
VALID FOR 1 PERMIT ONLY U.N.O.  
VALID ONLY WITH ORIGINAL ENGINEER SEAL



**1** TYPICAL HEADER SECTION  
10 6" = 1'-0" VERT SECT



**3** TYPICAL JAMB SECTION  
10 6" = 1'-0" VERT SECT



**2** TYPICAL SILL SECTION  
10 6" = 1'-0" VERT SECT

WEEP HOLE 5" FROM ENDS & 19 1/2" O.C. FOR THE BALANCE

**ENGINEERING EXPRESS**  
CORPORATE OFFICE:  
160 SW 12th AVE, SUITE 106  
DEERFIELD BEACH, FL 33442  
P: (954) 354-0660 F: (954) 354-0443  
E: HELLO@ENGINEERINGEXPRESS.COM  
ENGINEERINGEXPRESS.COM  
CERT OF AUTH #9885

**LA FINESTRA, LC**  
2790 NW 104TH COURT  
DORAL, FL  
(305) 599-8093

FLORIDA PRODUCT APPROVAL (2) DOORS  
2790 NW 104TH COURT, MIAMI, FL  
FBC 5TH EDITION (2014) PRODUCT APPROVAL #, FL

| REMARKS | INIT | ISSUE | DRWN | CHKD | DATE     |
|---------|------|-------|------|------|----------|
|         | JEM  |       | AJP  |      | 12/16/15 |

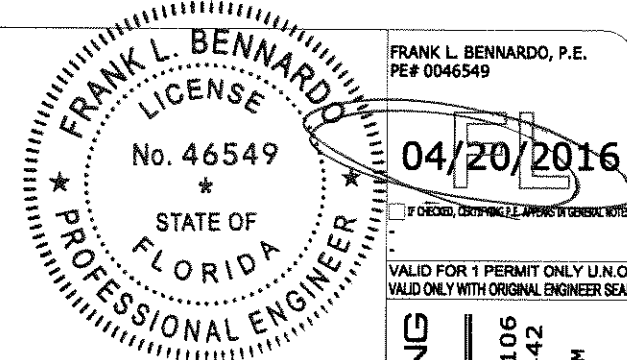
THIS DOCUMENT IS THE PROPERTY OF ENGINEERING EXPRESS, AND SHALL NOT BE REPRODUCED IN WHOLE OR PART WITHOUT WRITTEN CONSENT OF ENGINEERING EXPRESS. ALTERATIONS, ADDITIONS, OR OTHER MARKINGS TO THIS DOCUMENT ARE NOT PERMITTED AND INVALIDATE OUR CERTIFICATION.

COPYRIGHT ENGINEERING EXPRESS ©  
**15-2257**  
SCALE: N.T.S.

04/20/2016 - 5:45pm joem V:\Projects\15-2257 Florida Product Approval (2) Doors\Sliding Glass Door 2nd Submittal\Drawings\Product approval - 2nd Submittal.dwg

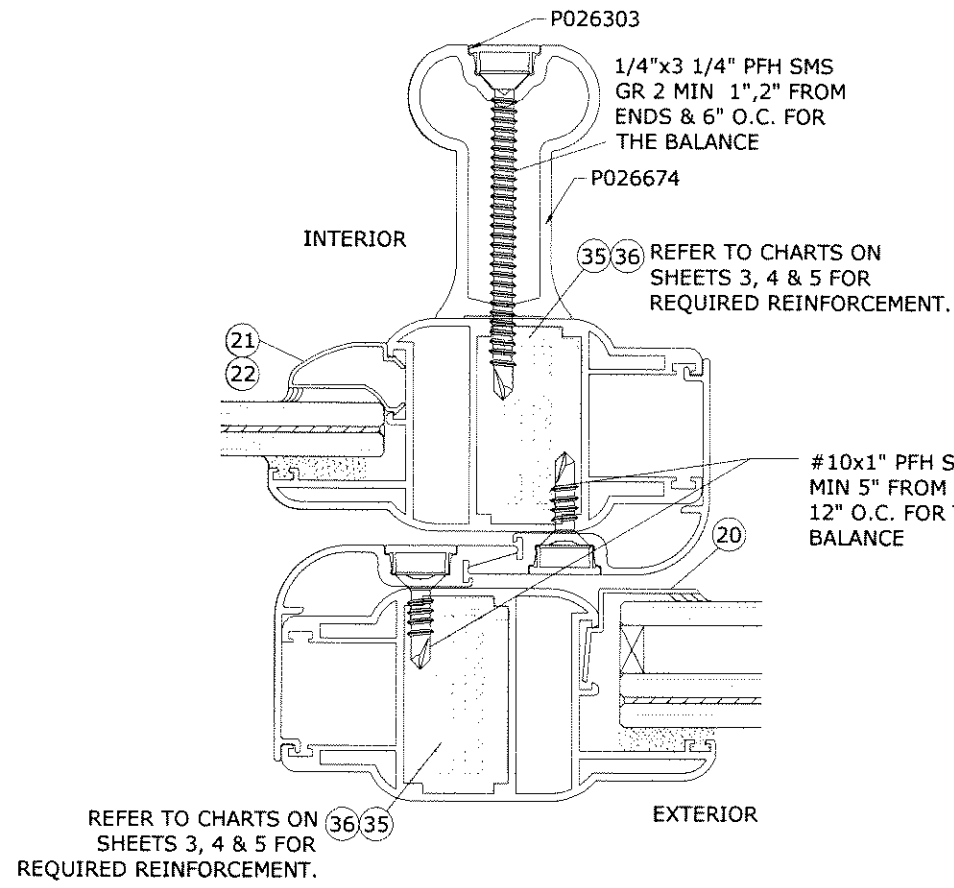


# 2, 3 & 4 TRACK SECTIONS

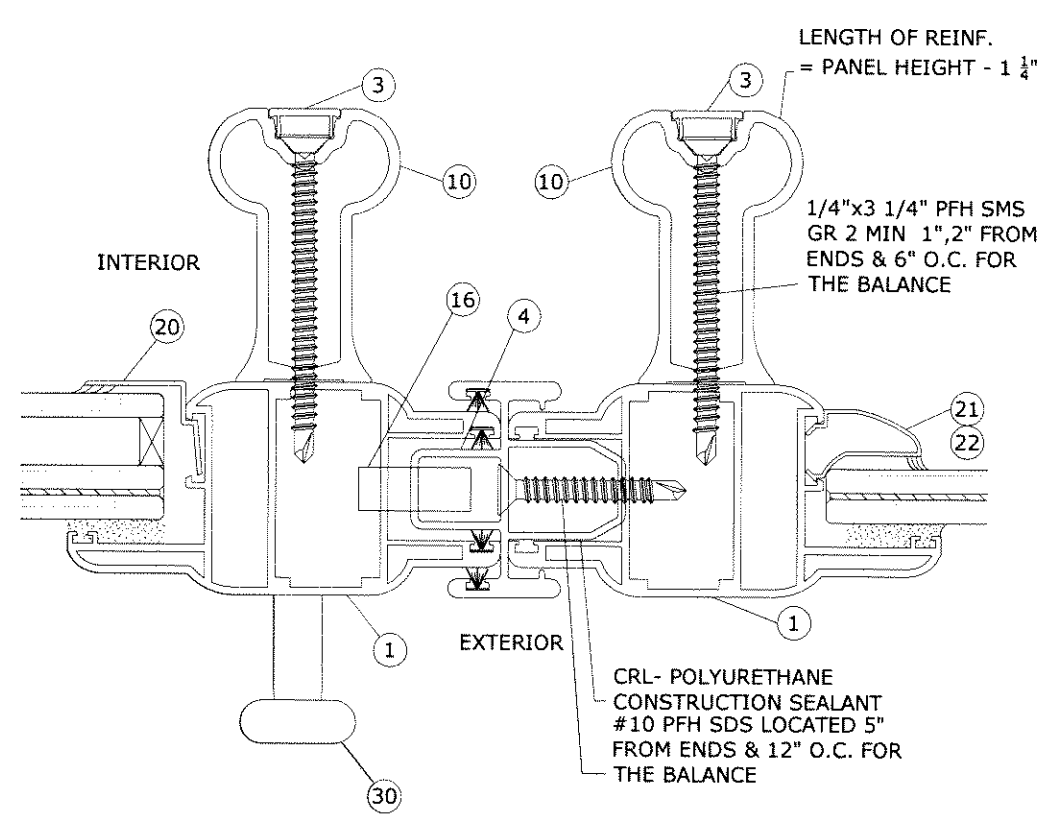


FRANK L. BENNARDO, P.E.  
PE# 0046549

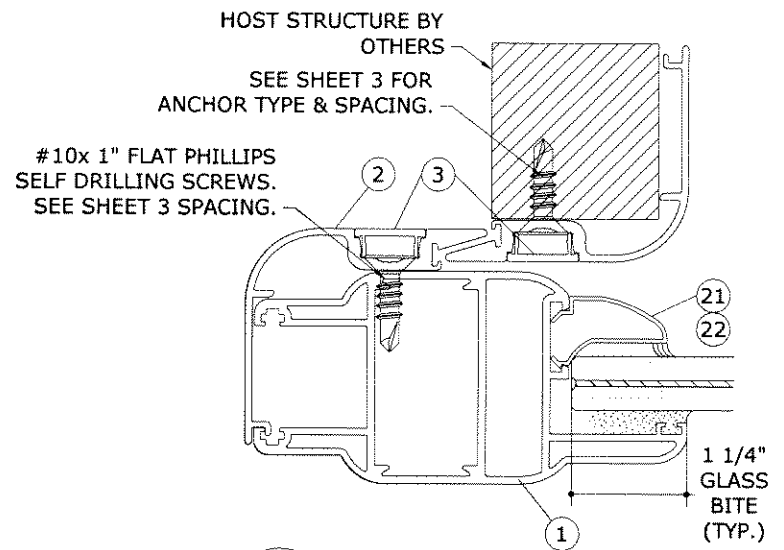
04/20/2016



**5** TYPICAL INTERLOCKING STILE  
11 6" = 1'-0"



**6** LOCKSTILE DETAIL  
11 6" = 1'-0"



**4** POCKET JAMB DETAIL  
11 6" = 1'-0"

**ENGINEERING EXPRESS**  
CORPORATE OFFICE:  
160 SW 12th AVE, SUITE 106  
DEERFIELD BEACH, FL 33442  
P: (954) 354-0660 F: (954) 354-0443  
E: HELLO@ENGINEERINGEXPRESS.COM  
ENGINEERINGEXPRESS.COM  
CERT OF AUTH #9885

**LA FINESTRA, LC**  
2790 NW 104TH COURT  
DORAL, FL  
(305) 599-8093  
FLORIDA PRODUCT APPROVAL (2) DOORS  
2790 NW 104TH COURT, MIAMI, FL  
FLORIDA PRODUCT APPROVAL (2014) PRODUCT APPROVAL #, FL

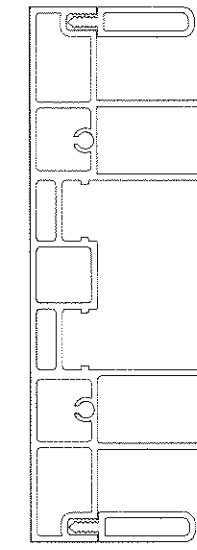
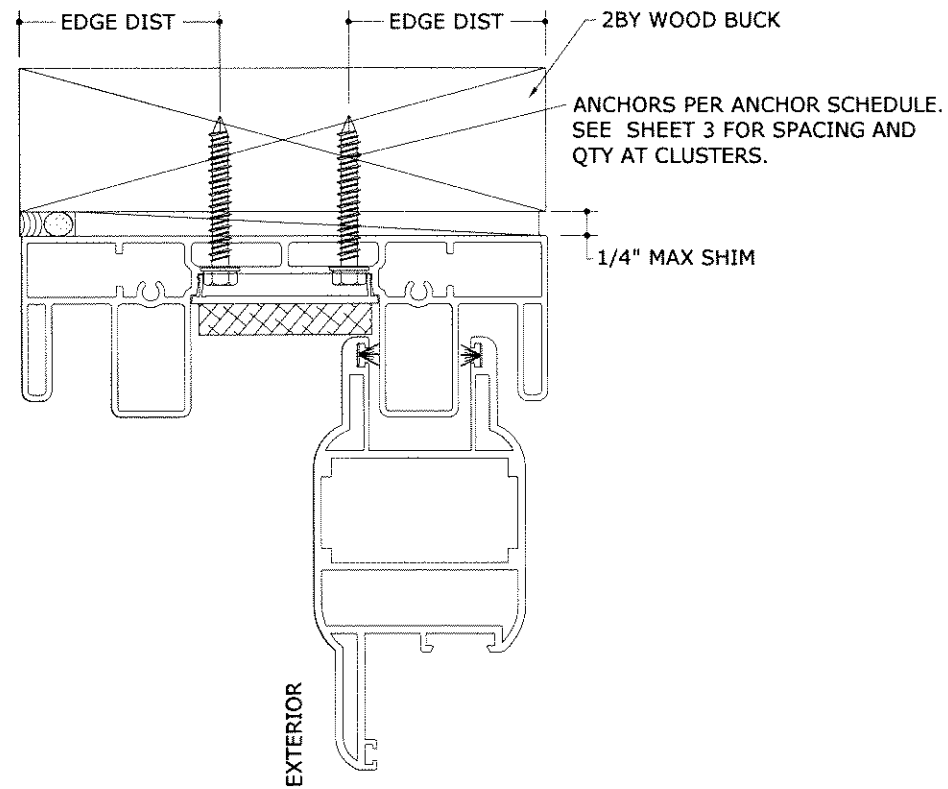
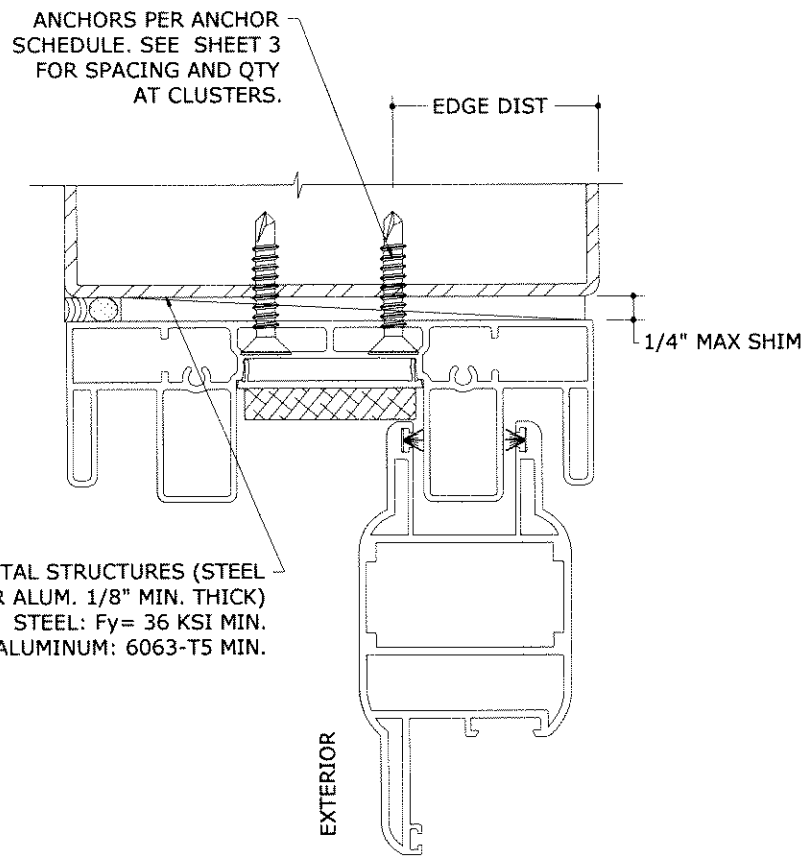
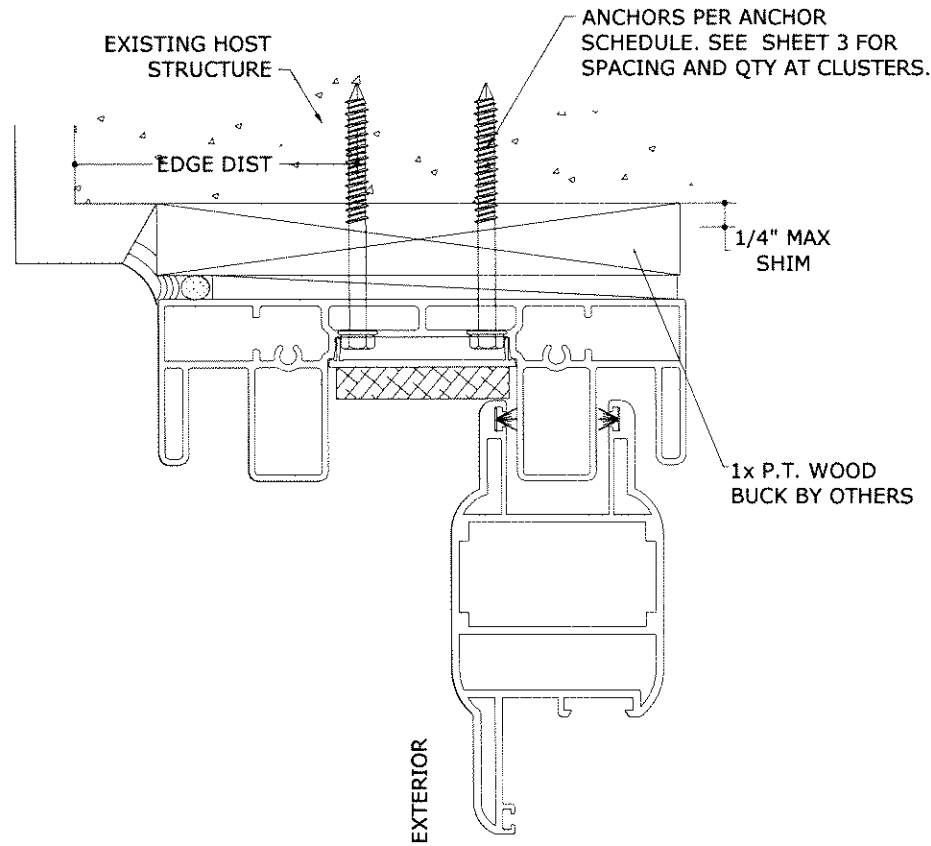
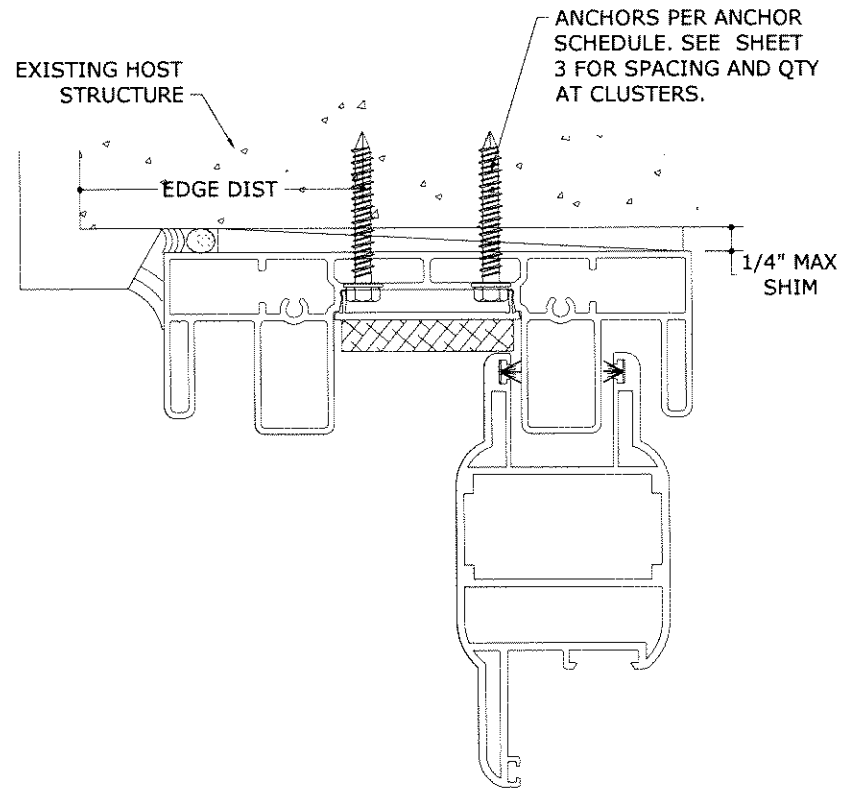
| REMARKS    | DRWN | CHKD | DATE     |
|------------|------|------|----------|
| INIT ISSUE | JEM  | AJP  | 12/16/15 |
|            |      |      |          |
|            |      |      |          |

THIS DOCUMENT IS THE PROPERTY OF ENGINEERING EXPRESS, AND SHALL NOT BE REPRODUCED IN WHOLE OR PART WITHOUT WRITTEN CONSENT OF ENGINEERING EXPRESS. ALTERATIONS, ADDITIONS, OR OTHER MARKINGS TO THIS DOCUMENT ARE NOT PERMITTED AND INVALIDATE OUR CERTIFICATION.

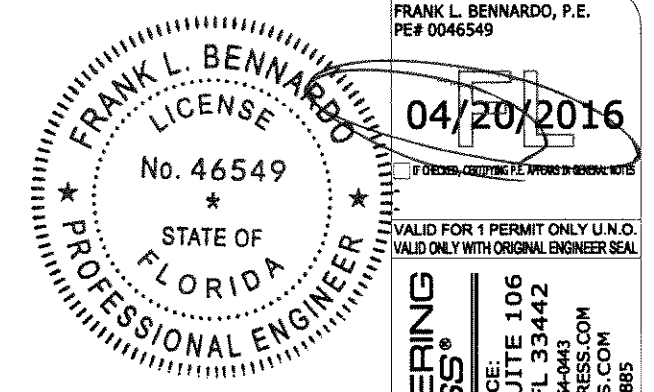
COPYRIGHT ENGINEERING EXPRESS ©  
**15-2257**  
SCALE: N.T.S.

C:\Users\joem\appdata\localtemp\AcPublish\_10044115-2257\_02c Product approval - 2nd submittal.dwg joem 04/20/2016 - 4:41pm

# 2 TRACK ANCHORING



ALTERNATE 2 TRACK EXTRUSION



**ENGINEERING EXPRESS**  
CORPORATE OFFICE:  
160 SW 12th AVE, SUITE 106  
DEERFIELD BEACH, FL 33442  
P: (954) 354-0660 F: (954) 354-0443  
E: HELLO@ENGINEERINGEXPRESS.COM  
ENGINEERINGEXPRESS.COM  
CERT OF AUTH #9885

**LA FINESTRA, LC**  
2790 NW 104TH COURT  
DORAL, FL  
(305) 599-8093

FLORIDA PRODUCT APPROVAL (2) DOORS  
2790 NW 104TH COURT, MIAMI, FL  
FBC 5TH EDITION (2014) PRODUCT APPROVAL #, FL

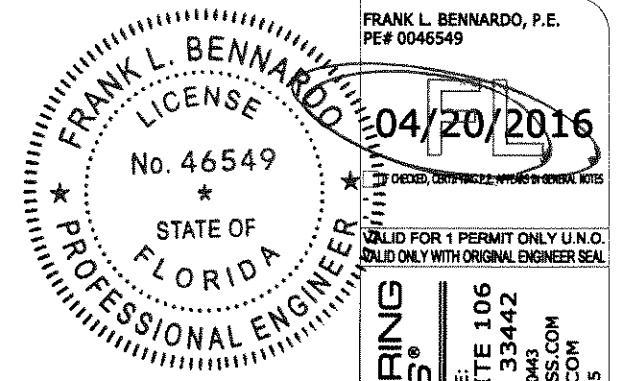
| REMARKS   | DRWN | CHKD | DATE     |
|---|------|------|----------|
| INIT ISSUE  | JEM  | AJP  | 12/16/15 |
| THIS DOCUMENT IS THE PROPERTY OF ENGINEERING EXPRESS AND SHALL NOT BE REPRODUCED IN WHOLE OR PART WITHOUT WRITTEN CONSENT OF ENGINEERING EXPRESS. ALTERATIONS, ADDITIONS OR OTHER MARKINGS TO THIS DOCUMENT ARE NOT PERMITTED AND INVALIDATE OUR CERTIFICATION. |      |      |          |

COPYRIGHT ENGINEERING EXPRESS ©  
15-2257  
SCALE: N.T.S.

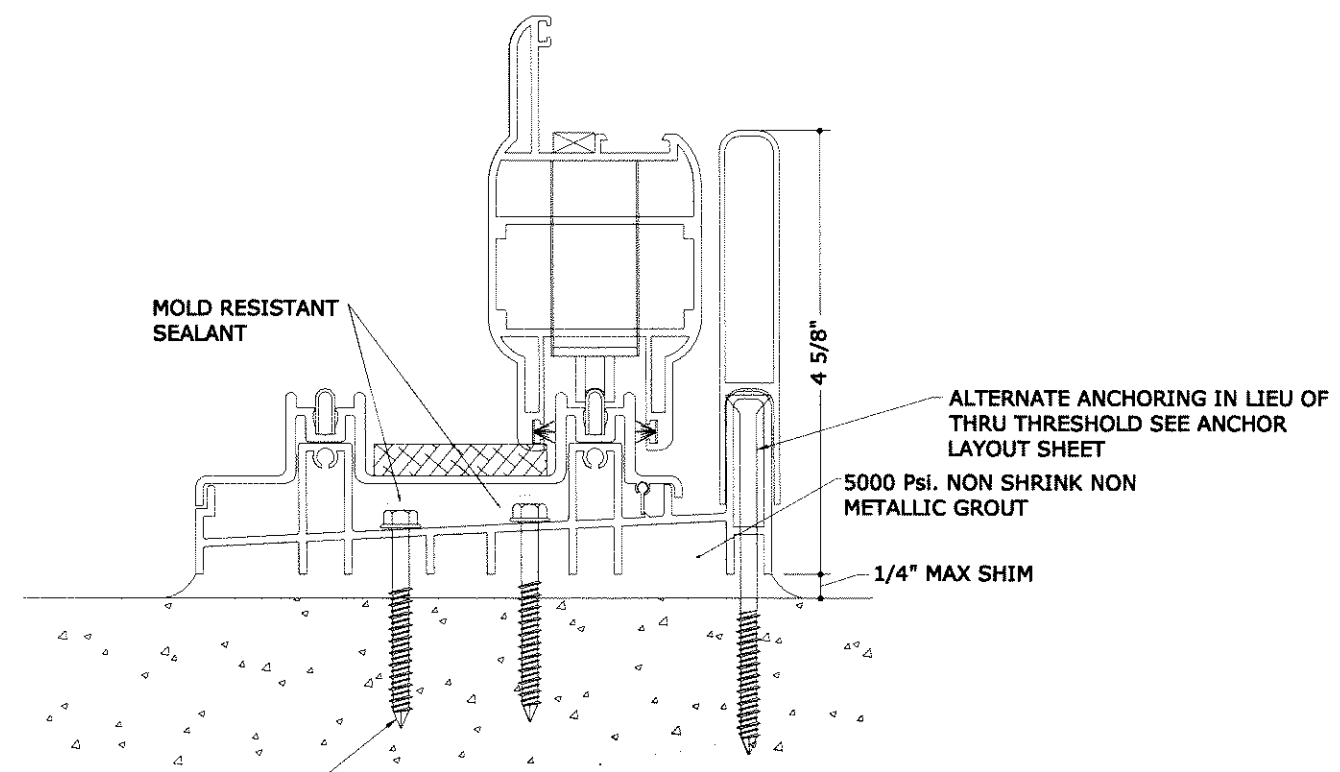
WOOD BUCKS AND METAL STRUCTURE NOT BY LA FINESTRA. MUST SUSTAIN LOADS IMPOSED BY GLAZING SYSTEM AND TRANSFER THEM TO THE BUILDING STRUCTURE.

C:\Users\joem\appdata\local\temp\AcPublish\_1004415-2257\_02c Product approval - 2nd submittal.dwg joem 04/20/2016 - 4:41pm

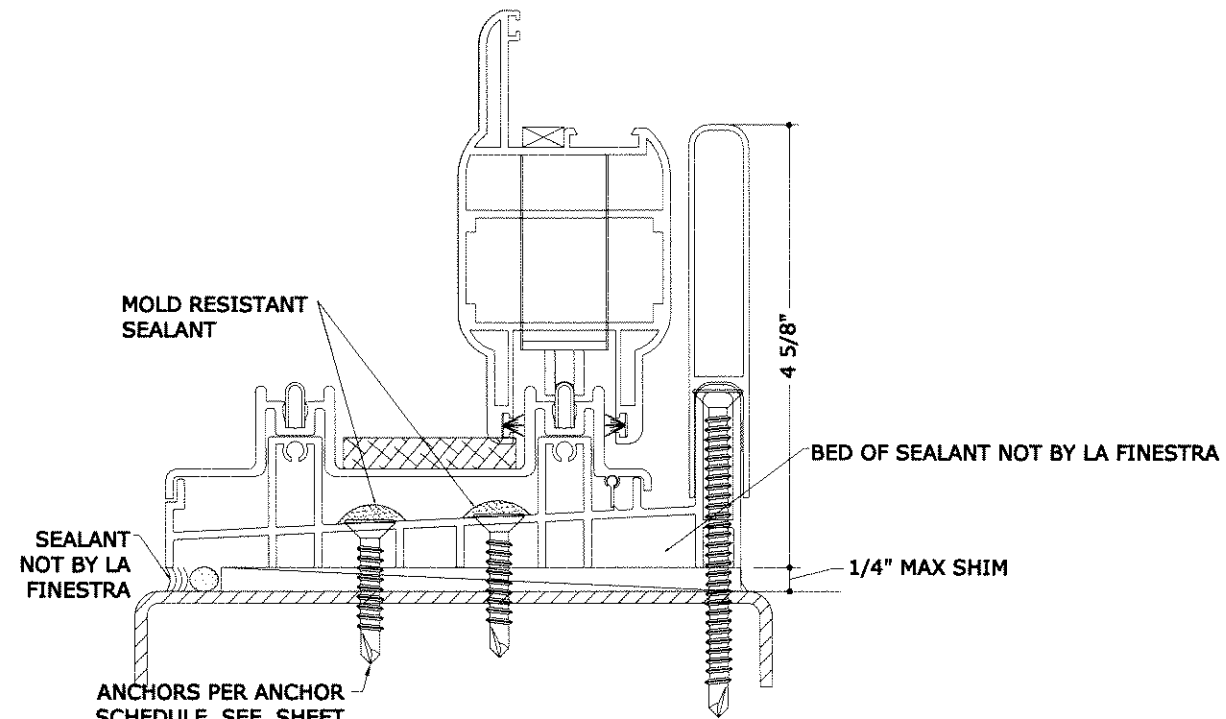
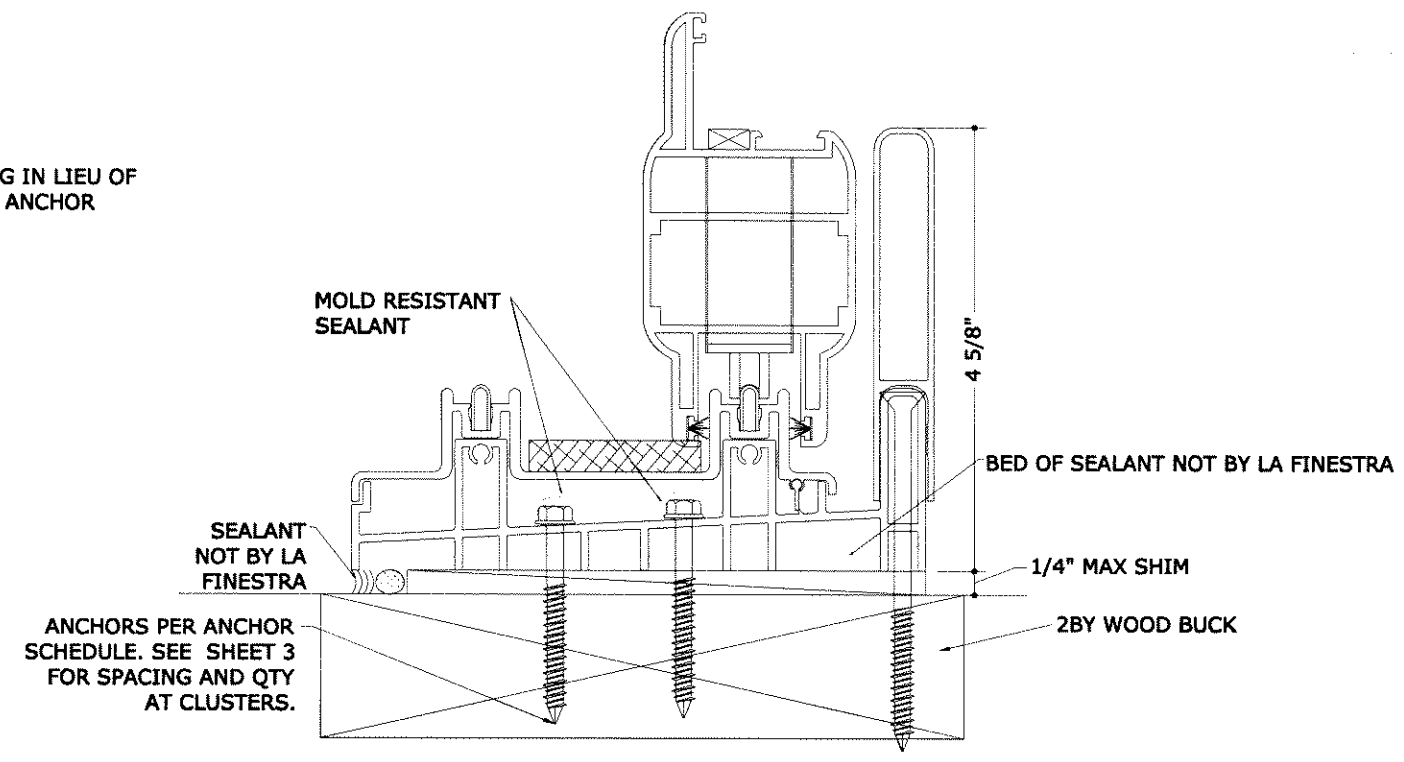
# 2 TRACK ANCHORING



FRANK L. BENNARDO, P.E.  
PE# 0046549



ANCHORS PER ANCHOR SCHEDULE. SEE SHEET 3 FOR SPACING AND QTY AT CLUSTERS.



WOOD BUCKS AND METAL STRUCTURE NOT BY LA FINESTRA. MUST SUSTAIN LOADS IMPOSED BY GLAZING SYSTEM AND TRANSFER THEM TO THE BUILDING STRUCTURE.

**ENGINEERING EXPRESS**  
CORPORATE OFFICE:  
160 SW 12th AVE, SUITE 106  
DEERFIELD BEACH, FL 33442  
P: (954) 354-0660 F: (954) 354-0443  
E: HELLO@ENGINEERINGEXPRESS.COM  
ENGINEERINGEXPRESS.COM  
CERT OF AUTH #9885

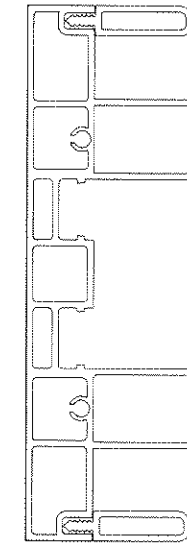
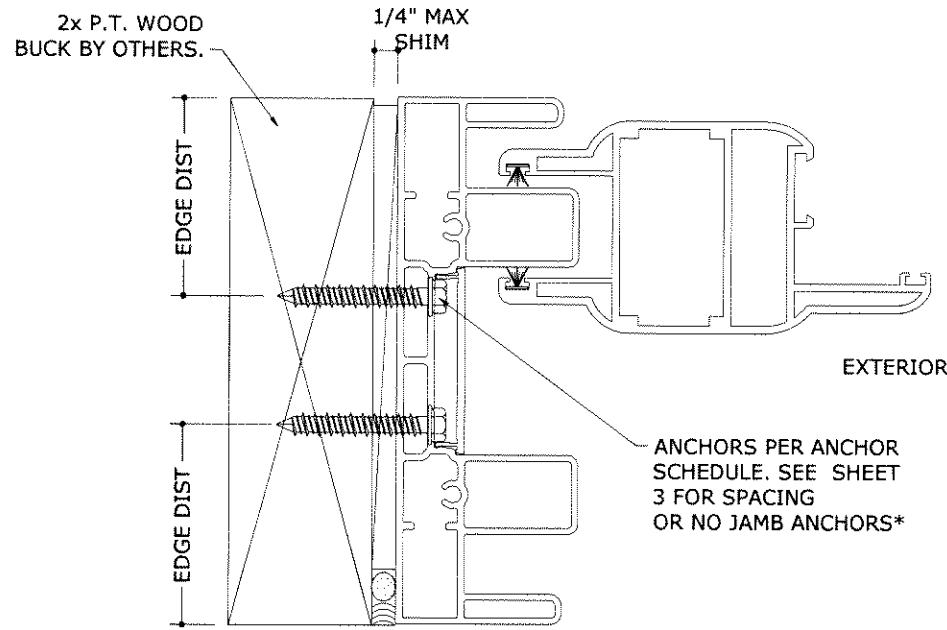
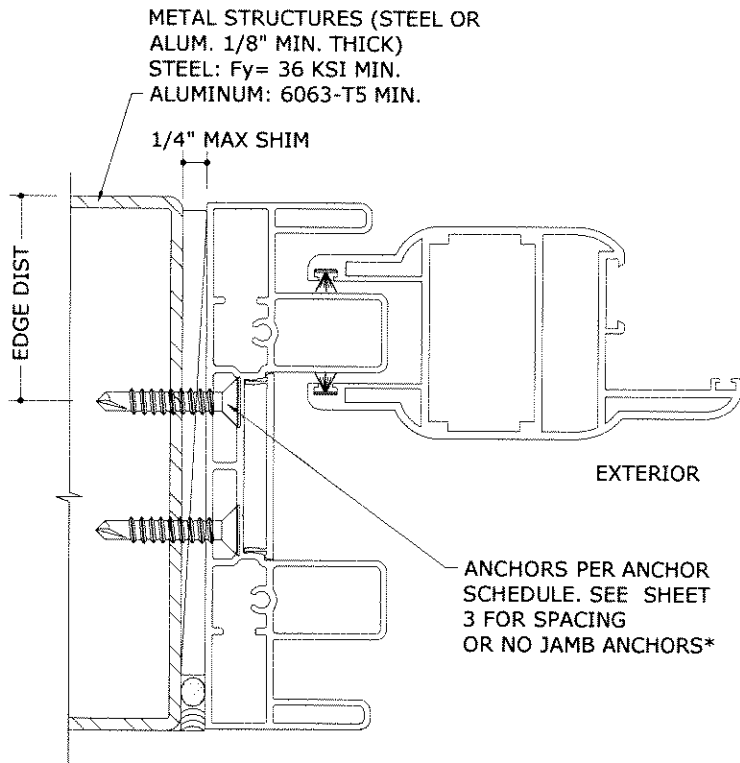
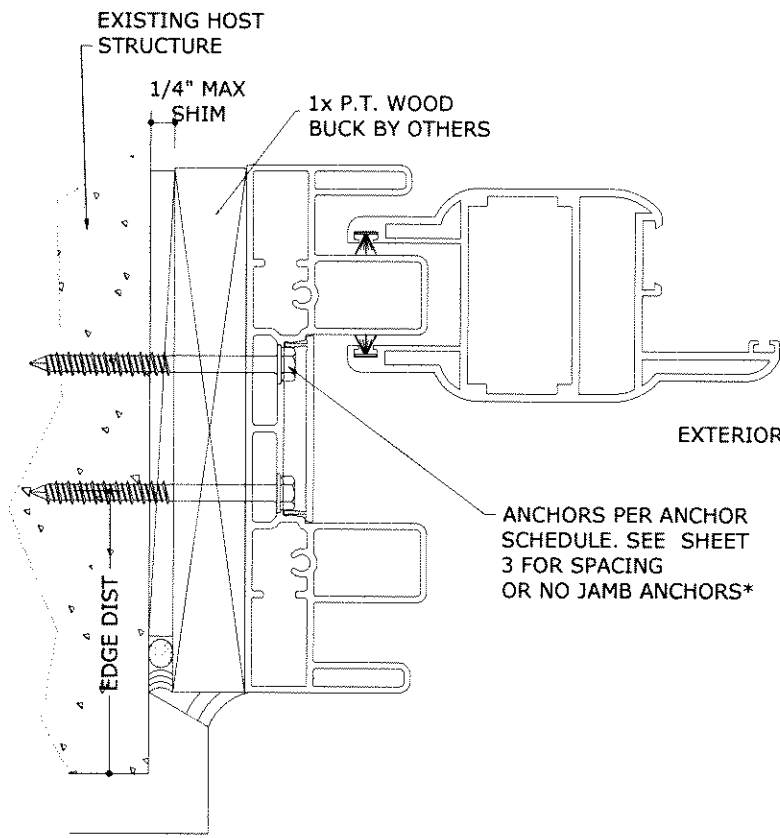
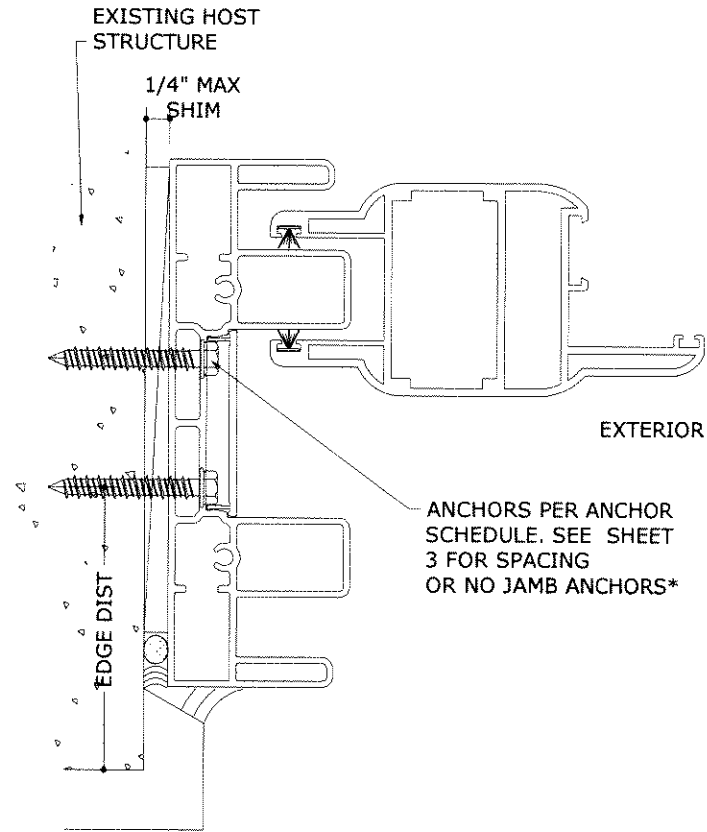
**LA FINESTRA, LC**  
2790 NW 104TH COURT  
DORAL, FL  
(305) 599-8093  
FLORIDA PRODUCT APPROVAL (2) DOORS  
2790 NW 104TH COURT, MIAMI, FL  
FBC 5TH EDITION (2014) PRODUCT APPROVAL #, FL

| REMARKS  | DRWN | CHKD | DATE     |
|--|------|------|----------|
| INIT ISSUE   | JEM  | AJP  | 12/16/15 |
| THIS DOCUMENT IS THE PROPERTY OF ENGINEERING EXPRESS AND SHALL NOT BE REPRODUCED IN WHOLE OR PART WITHOUT WRITTEN CONSENT OF ENGINEERING EXPRESS. ALTERATIONS, ADDITIONS, OR OTHER MARKINGS TO THIS DOCUMENT ARE NOT PERMITTED AND INVALIDATE OUR CERTIFICATION. |      |      |          |

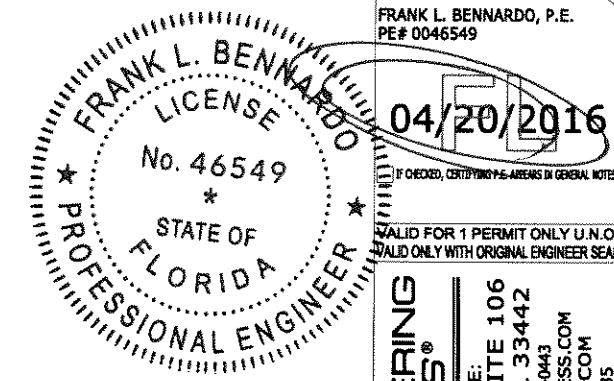
COPYRIGHT ENGINEERING EXPRESS ©  
**15-2257**  
SCALE: N.T.S.

V:\Projects\15-2257 Florida Product Approval (2) Doors\Sliding Glass Door 2nd Submittal\Drawings\Product approval - 2nd submittal.dwg joem 04/20/2016 - 5:45pm

# 2 TRACK ANCHORING



ALTERNATE 2 TRACK EXTRUSION



FRANK L. BENNARDO, P.E.  
PE# 0046549

04/20/2016

IF CHECKED, CERTIFYING AREAS IN GENERAL NOTES

VALID FOR 1 PERMIT ONLY U.N.O.  
VALID ONLY WITH ORIGINAL ENGINEER SEAL

**ENGINEERING EXPRESS®**  
CORPORATE OFFICE:  
160 SW 12th AVE, SUITE 106  
DEERFIELD BEACH, FL 33442  
P: (954) 354-0660 F: (954) 354-0443  
E: HELLO@ENGINEERINGEXPRESS.COM  
ENGINEERINGEXPRESS.COM  
CERT OF AUTH #9885

**LA FINESTRA, LC**  
2790 NW 104TH COURT  
DORAL, FL  
(305) 599-8093  
FLORIDA PRODUCT APPROVAL (2) DOORS  
2790 NW 104TH COURT, MIAMI, FL  
FBC 5TH EDITION (2014) PRODUCT APPROVAL #, FL

| REMARKS    | DRWN | CHKD | DATE     |
|------------|------|------|----------|
| INIT ISSUE | JEM  | AJP  | 12/18/15 |

THIS DOCUMENT IS THE PROPERTY OF ENGINEERING EXPRESS, AND SHALL NOT BE REPRODUCED IN WHOLE OR PART WITHOUT WRITTEN CONSENT OF ENGINEERING EXPRESS. ALTERATIONS, ADDITIONS, OR OTHER MARKINGS TO THIS DOCUMENT ARE NOT PERMITTED AND INVALIDATE OUR CERTIFICATION.

COPYRIGHT ENGINEERING EXPRESS ©

15-2257

SCALE: N.T.S.

of 28

14

C:\Users\joem\appdata\localtemp\AcPublish\_1004415-2257\_02c Product approval - 2nd submittal.dwg joem 04/20/2016 - 4:41pm

WOOD BUCKS AND METAL STRUCTURE NOT BY LA FINESTRA, MUST SUSTAIN LOADS IMPOSED BY GLAZING SYSTEM AND TRANSFER THEM TO THE BUILDING STRUCTURE.

\* SEALANT ON JAMBS WITH NO ANCHORS SHALL BE DESIGNED BY OTHERS.

ANCHORS PER ANCHOR SCHEDULE. SEE SHEET 3 FOR SPACING OR NO JAMB ANCHORS\*

ANCHORS PER ANCHOR SCHEDULE. SEE SHEET 3 FOR SPACING OR NO JAMB ANCHORS\*

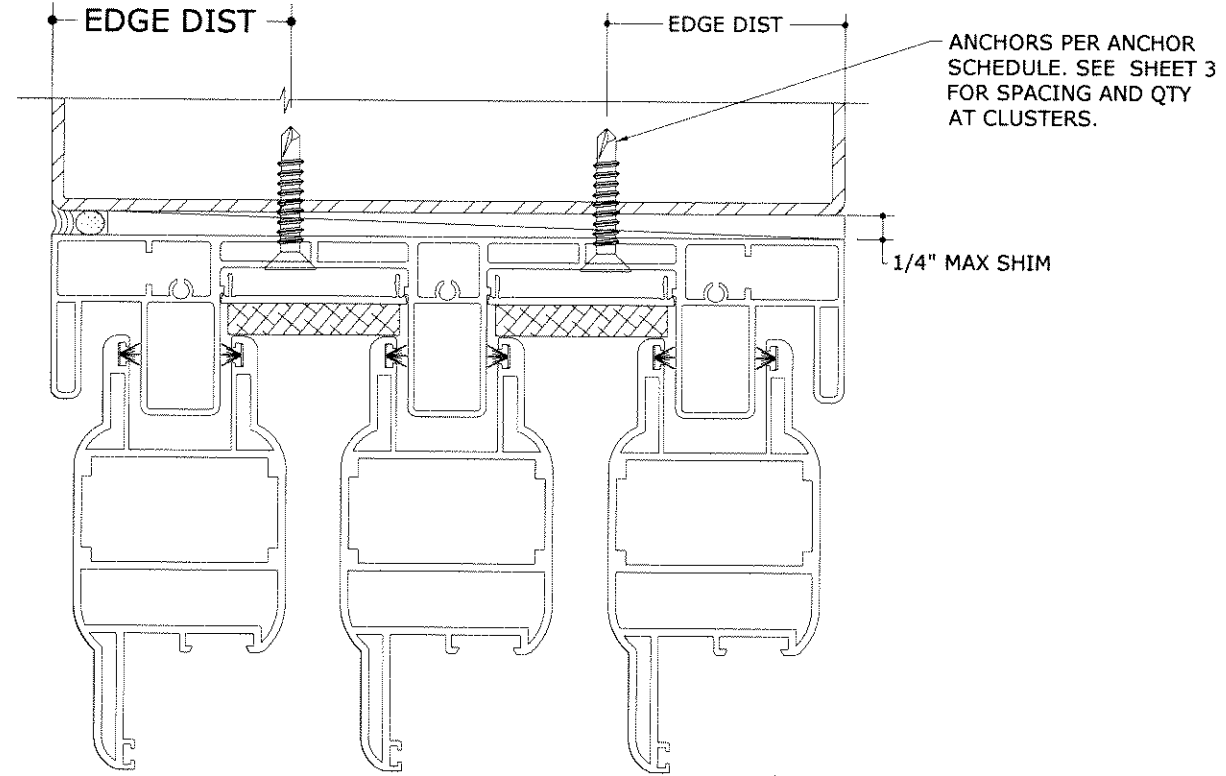
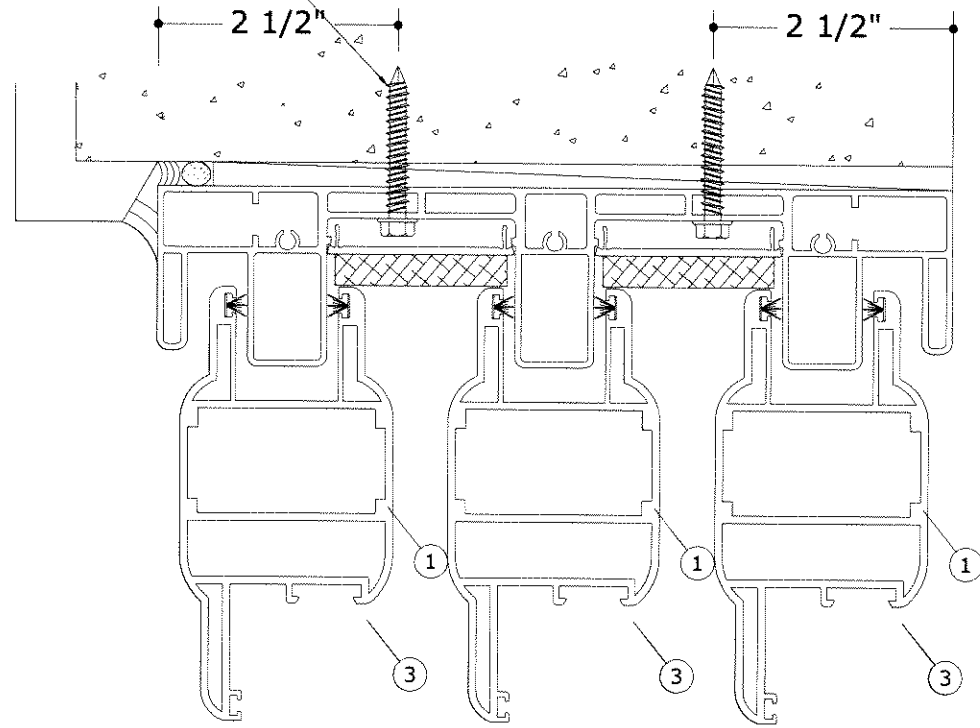
ANCHORS PER ANCHOR SCHEDULE. SEE SHEET 3 FOR SPACING OR NO JAMB ANCHORS\*

ANCHORS PER ANCHOR SCHEDULE. SEE SHEET 3 FOR SPACING OR NO JAMB ANCHORS\*

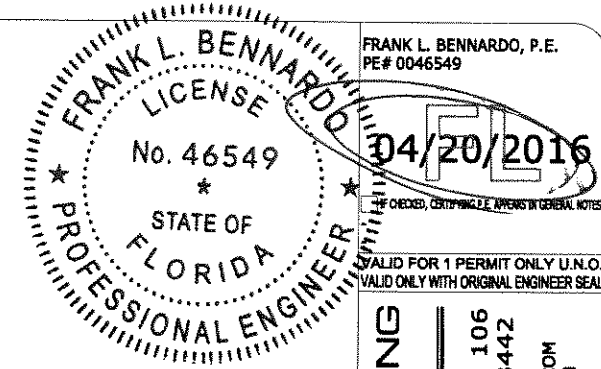
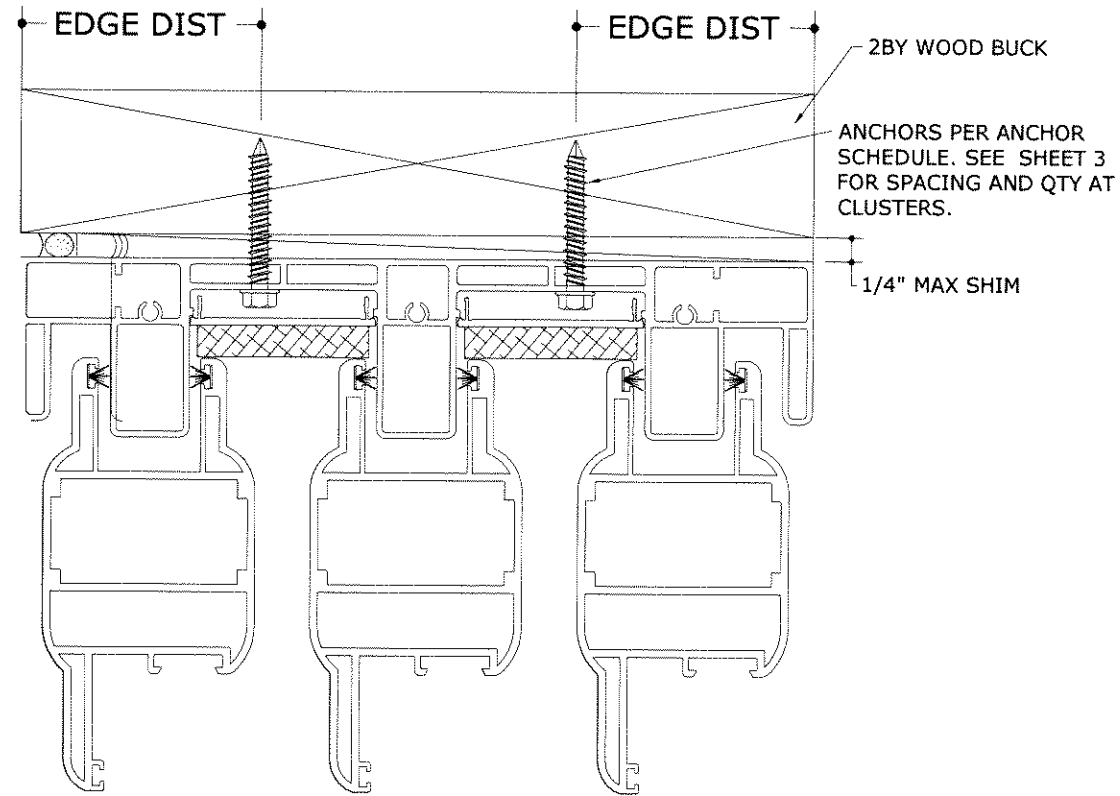
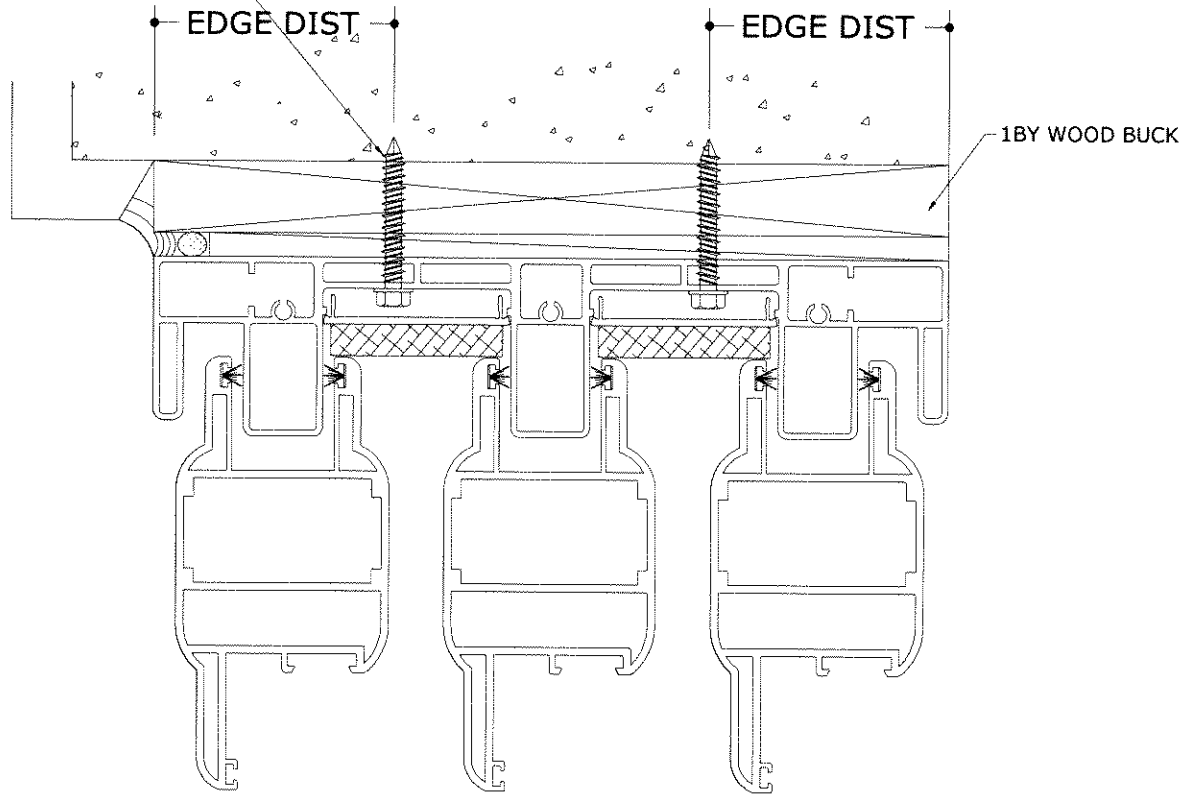
METAL STRUCTURES (STEEL OR ALUM. 1/8" MIN. THICK)  
STEEL: Fy= 36 KSI MIN.  
ALUMINUM: 6063-T5 MIN.

# 3 TRACK ANCHORING

ANCHORS PER ANCHOR SCHEDULE. SEE SHEET 3 FOR SPACING AND QTY AT CLUSTERS.



ANCHORS PER ANCHOR SCHEDULE. SEE SHEET 3 FOR SPACING AND QTY AT CLUSTERS.



**ENGINEERING EXPRESS®**  
CORPORATE OFFICE:  
160 SW 12th AVE, SUITE 106  
DEERFIELD BEACH, FL 33442  
P: (954) 354-0660 F: (954) 354-0443  
E: HELLO@ENGINEERINGEXPRESS.COM  
ENGINEERINGEXPRESS.COM  
CERT OF AUTH #9885

**LA FINESTRA, LC**  
2790 NW 104TH COURT  
DORAL, FL  
(305) 599-8093  
FLORIDA PRODUCT APPROVAL (2) DOORS  
2790 NW 104TH COURT, MIAMI, FL  
FBC 5TH EDITION (2014) PRODUCT APPROVAL #, FL

ALTERNATE 3 TRACK EXTRUSION

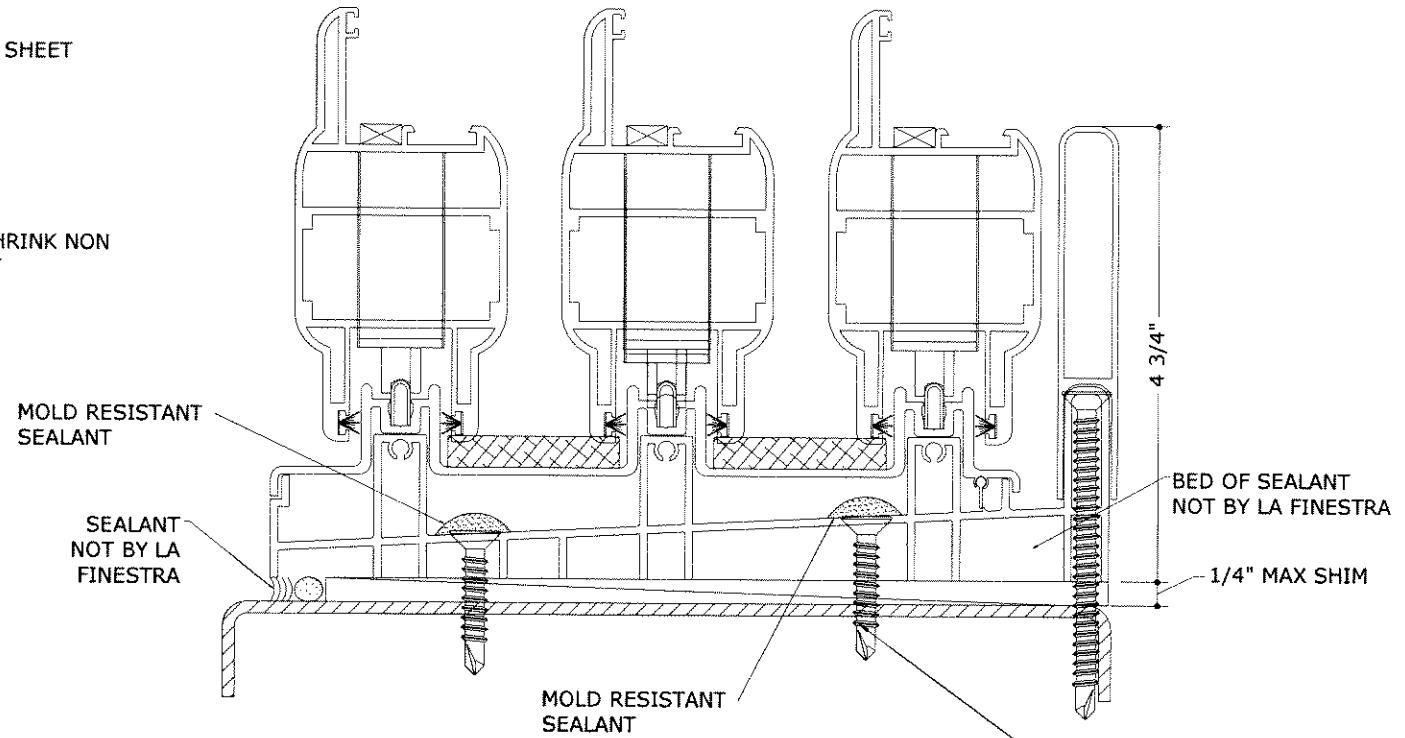
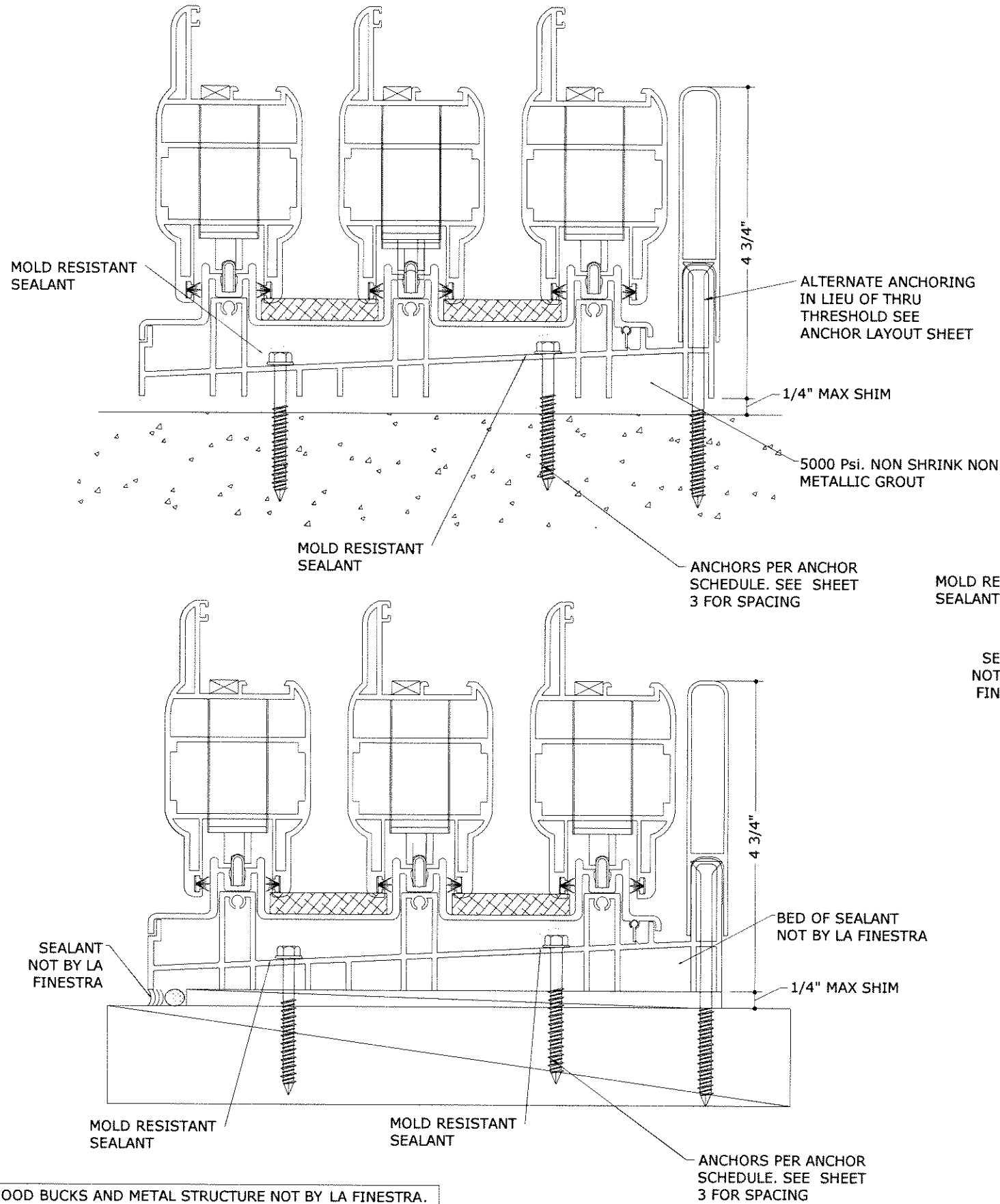
| REMARKS   | DRWN | CHKD | DATE     |
|---|------|------|----------|
| INIT ISSUE  | JEM  | AJP  | 12/18/15 |
| THIS DOCUMENT IS THE PROPERTY OF ENGINEERING EXPRESS, AND SHALL NOT BE REPRODUCED IN WHOLE OR PART WITHOUT WRITTEN CONSENT OF ENGINEERING EXPRESS. ALTERATIONS, ADDITIONS, OR OTHER MARKINGS TO THIS DOCUMENT ARE NOT PERMITTED AND INVALIDATE OUR CERTIFICATION. |      |      |          |

COPYRIGHT ENGINEERING EXPRESS®  
15-2257  
SCALE: N.T.S.

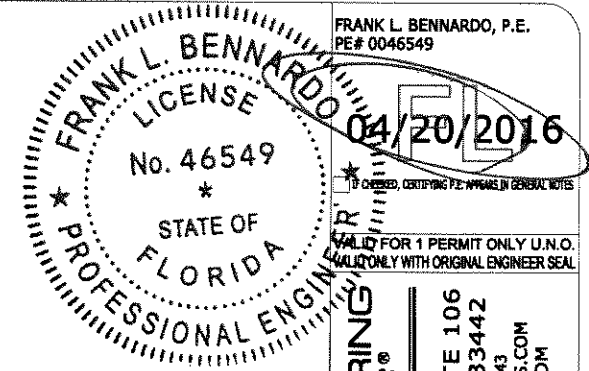
WOOD BUCKS AND METAL STRUCTURE NOT BY LA FINESTRA. MUST SUSTAIN LOADS IMPOSED BY GLAZING SYSTEM AND TRANSFER THEM TO THE BUILDING STRUCTURE.

C:\Users\joem\appdata\local\temp\AcPublish\_10044115-2257\_02c Product approval - 2nd submittal.dwg  
joem  
04/20/2016 - 4:41pm

# 3 TRACK ANCHORING



WOOD BUCKS AND METAL STRUCTURE NOT BY LA FINESTRA. MUST SUSTAIN LOADS IMPOSED BY GLAZING SYSTEM AND TRANSFER THEM TO THE BUILDING STRUCTURE.



**ENGINEERING EXPRESS**  
 CORPORATE OFFICE:  
 160 SW 12th AVE, SUITE 106  
 DEERFIELD BEACH, FL 33442  
 P: (954) 354-0660 F: (954) 354-0443  
 E: HELLO@ENGINEERINGEXPRESS.COM  
 ENGINEERINGEXPRESS.COM  
 CERT OF AUTH #9885

**LA FINESTRA, LC**  
 2790 NW 104TH COURT  
 DORAL, FL  
 (305) 599-8093  
 FLORIDA PRODUCT APPROVAL (2) DOORS  
 2790 NW 104TH COURT, MIAMI, FL  
 FBC 5TH EDITION (2014) PRODUCT APPROVAL #, FL

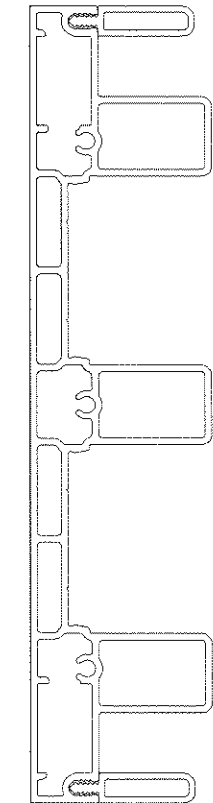
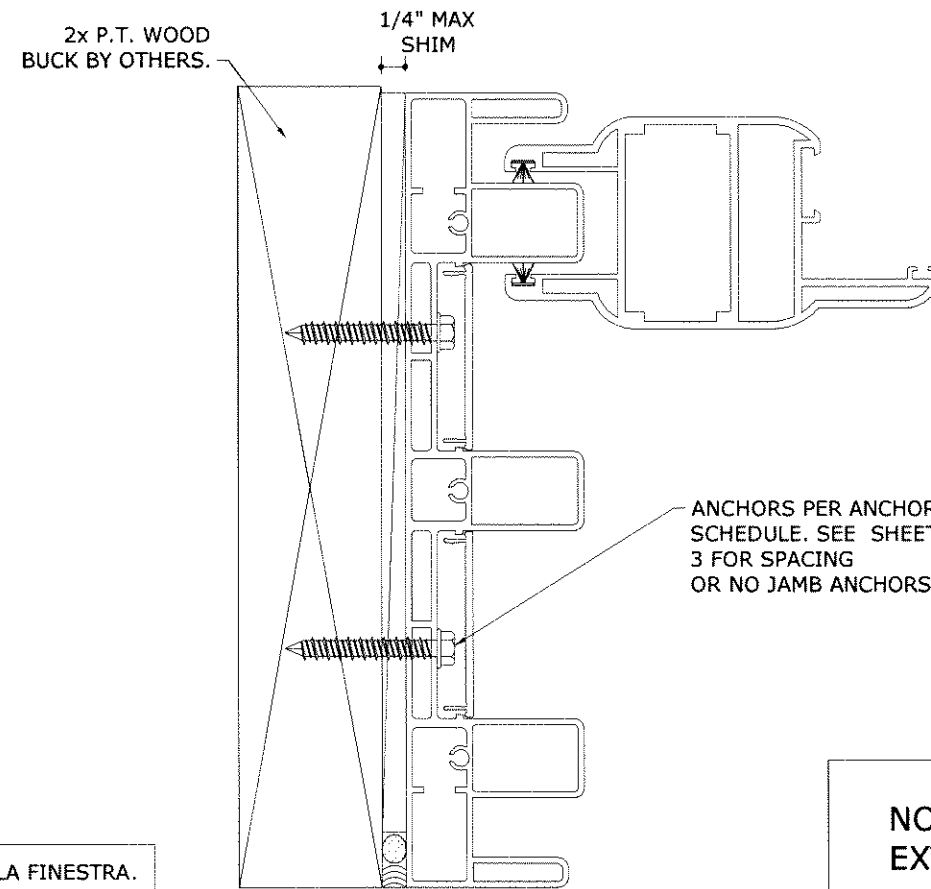
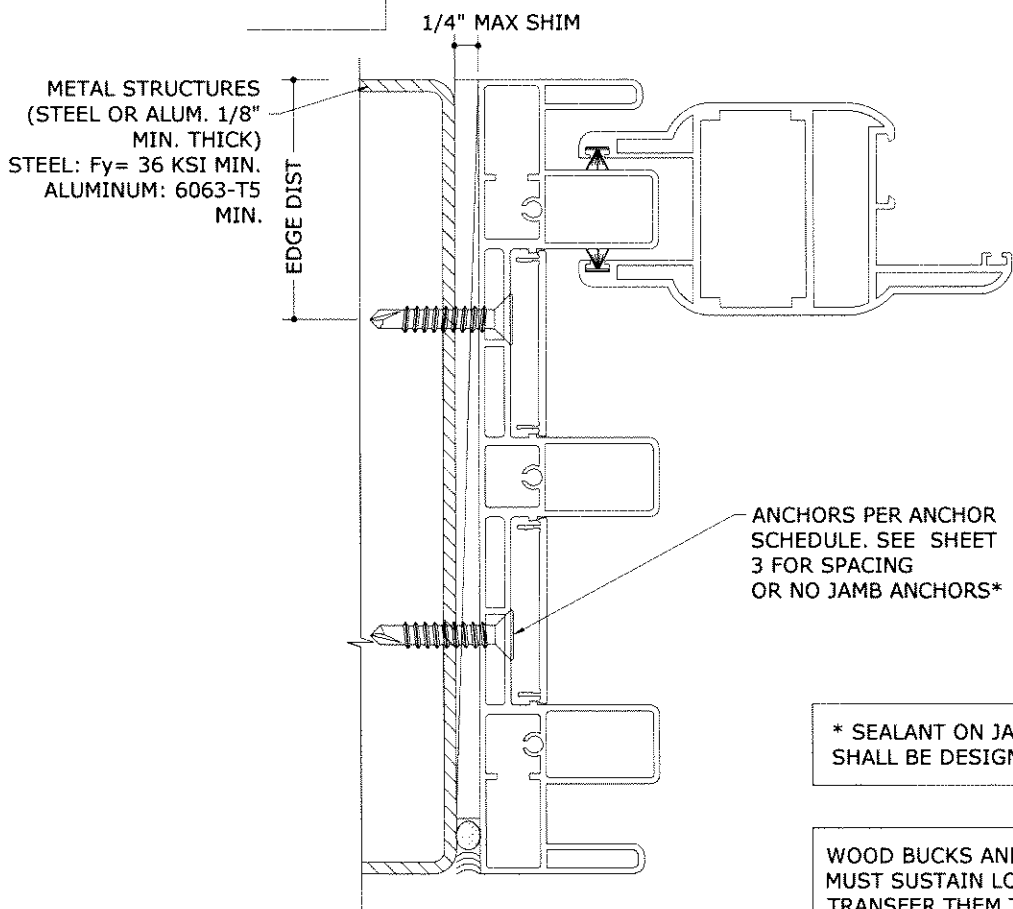
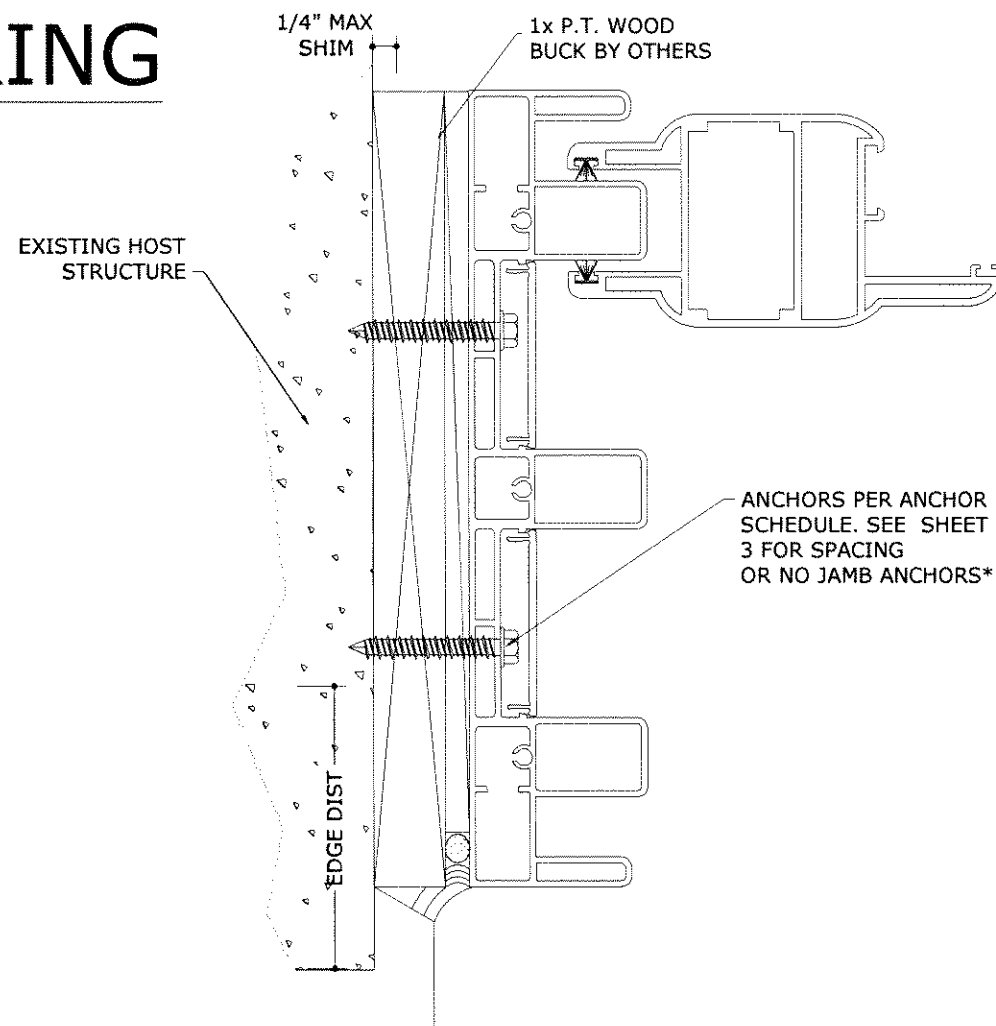
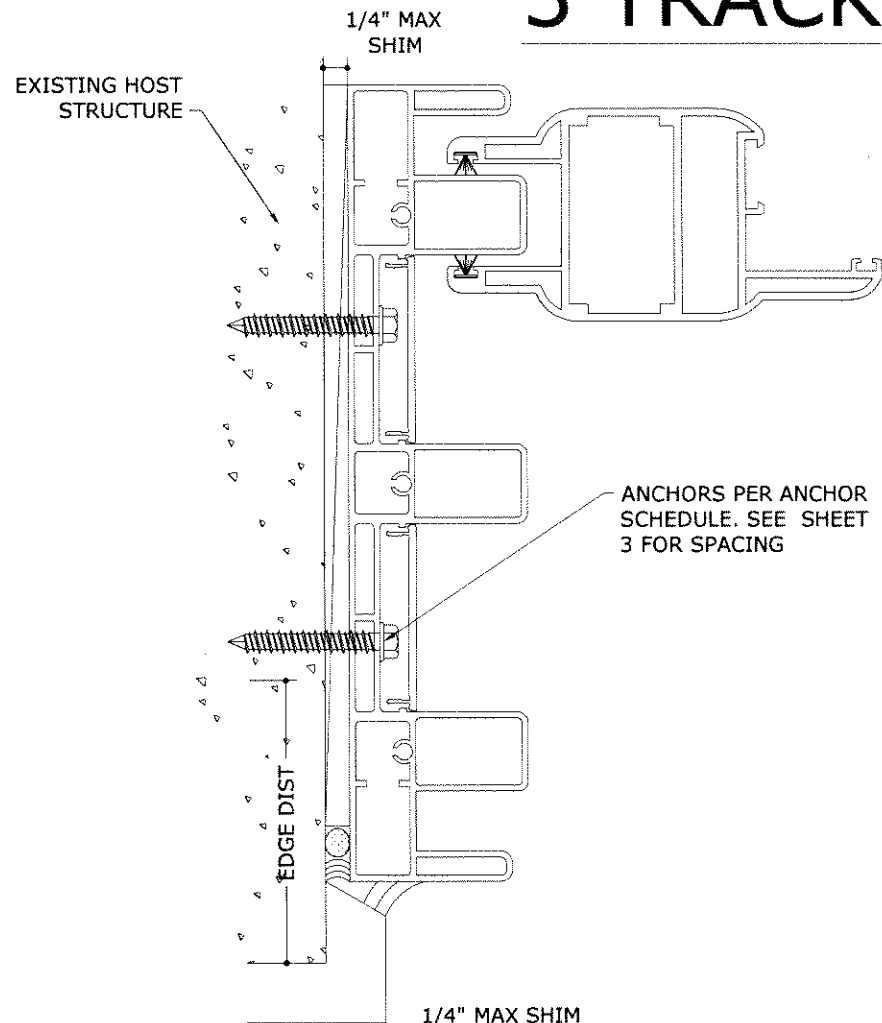
| REMARKS    | DATE     |
|------------|----------|
| INIT ISSUE | 12/18/15 |
| DRWN CHKD  |          |
| JEM AJP    |          |

THIS DOCUMENT IS THE PROPERTY OF ENGINEERING EXPRESS, AND SHALL NOT BE REPRODUCED IN WHOLE OR PART WITHOUT WRITTEN CONSENT OF ENGINEERING EXPRESS. ALTERATIONS, ADDITIONS, OR OTHER CHANGES TO THIS DOCUMENT ARE NOT PERMITTED AND INVALIDATE OUR CERTIFICATION.

COPYRIGHT ENGINEERING EXPRESS  
**15-2257**  
 SCALE: N.T.S.

V:\Projects\15-2257 Florida Product Approval (2) Doors\Sliding Glass Door 2nd Submittal\Drawings\Product approval - 2nd submittal.dwg  
 joem  
 04/20/2016 - 5:45pm

# 3 TRACK ANCHORING

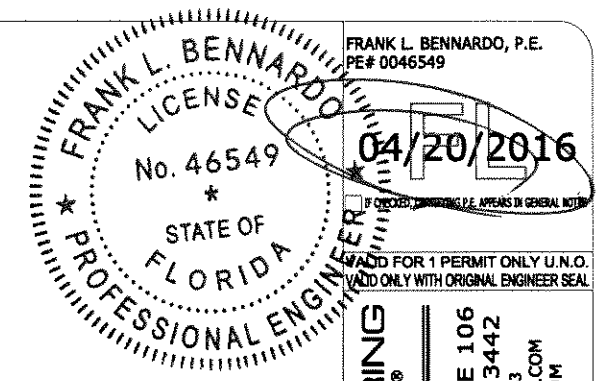


ALTERNATE 3 TRACK EXTRUSION

\* SEALANT ON JAMBS WITH NO ANCHORS SHALL BE DESIGNED BY OTHERS.

WOOD BUCKS AND METAL STRUCTURE NOT BY LA FINESTRA. MUST SUSTAIN LOADS IMPOSED BY GLAZING SYSTEM AND TRANSFER THEM TO THE BUILDING STRUCTURE.

NOTE:  
EXTRUSIONS NOT TO SCALE.



**ENGINEERING EXPRESS®**  
CORPORATE OFFICE:  
160 SW 12th AVE, SUITE 106  
DEERFIELD BEACH, FL 33442  
P: (954) 354-0660 F: (954) 354-0443  
E: HELLO@ENGINEERINGEXPRESS.COM  
ENGINEERINGEXPRESS.COM  
CERT OF AUTH #9885

**LA FINESTRA, LC**  
2790 NW 104TH COURT  
DORAL, FL  
(305) 599-8093  
FLORIDA PRODUCT APPROVAL (2) DOORS  
2790 NW 104TH COURT, MIAMI, FL  
FBC 5TH EDITION (2014) PRODUCT APPROVAL #, FL

| REMARKS    | DRWN | CHKD | DATE     |
|------------|------|------|----------|
| INIT ISSUE | JEM  | AJP  | 12/18/15 |
|            |      |      |          |
|            |      |      |          |

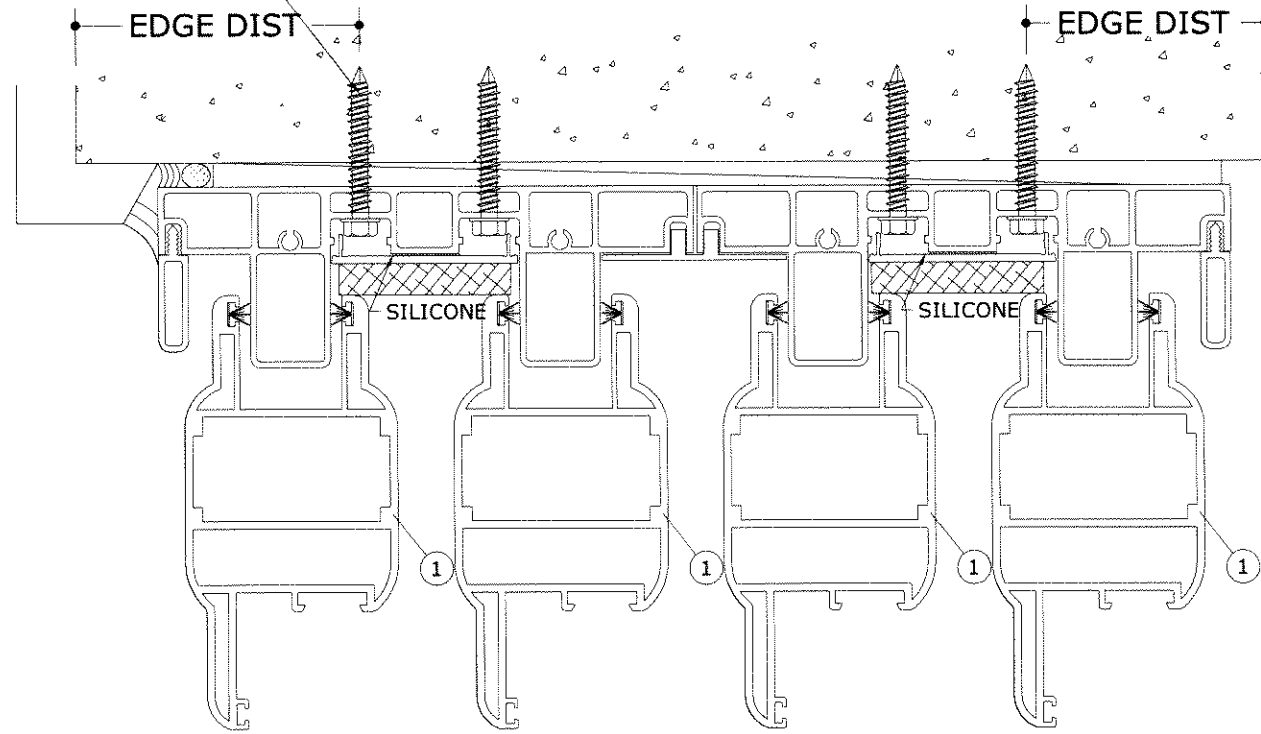
THIS DOCUMENT IS THE PROPERTY OF ENGINEERING EXPRESS AND SHALL NOT BE REPRODUCED IN WHOLE OR PART WITHOUT WRITTEN CONSENT OF ENGINEERING EXPRESS. ALTERATIONS, ADDITIONS, OR OTHER MARKINGS TO THIS DOCUMENT ARE NOT PERMITTED AND INVALIDATE OUR CERTIFICATION.

COPYRIGHT ENGINEERING EXPRESS®  
15-2257  
SCALE: N.T.S.

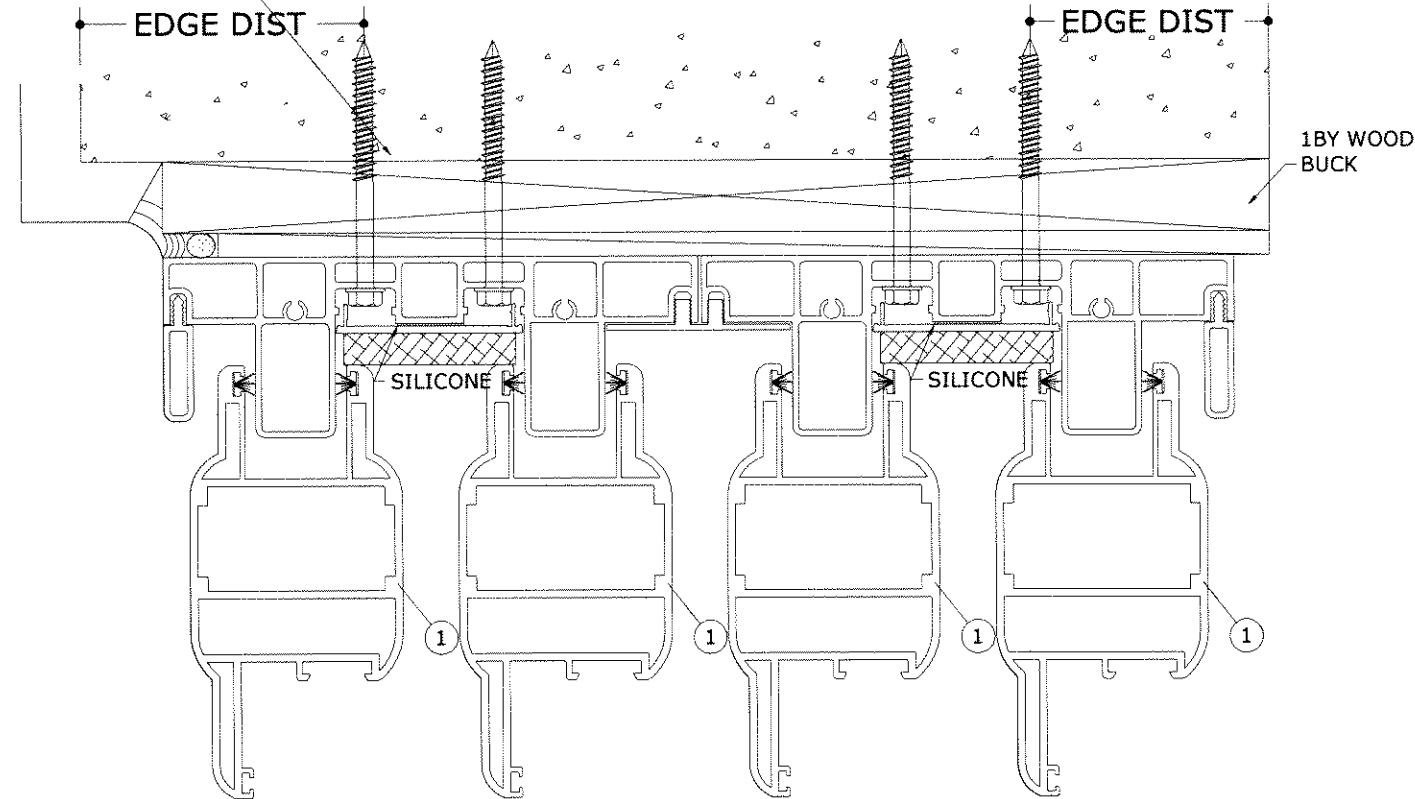
C:\Users\joem\appdata\local\temp\AcPublish\_1004115-2257\_02c Product approval - 2nd submittal.dwg joem 04/20/2016 - 4:41pm

# 4 TRACK ANCHORING

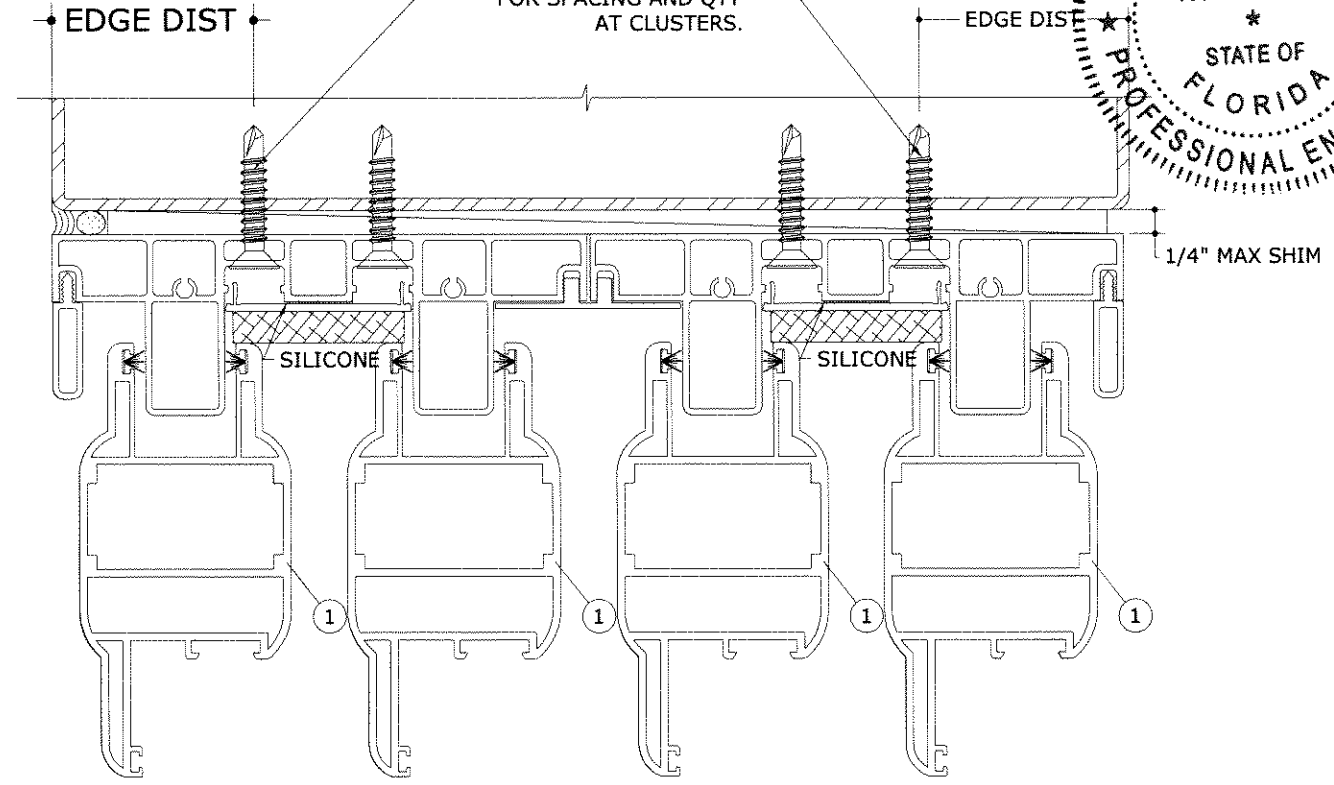
ANCHORS PER ANCHOR SCHEDULE. SEE SHEET 3 FOR SPACING AND QTY AT CLUSTERS.



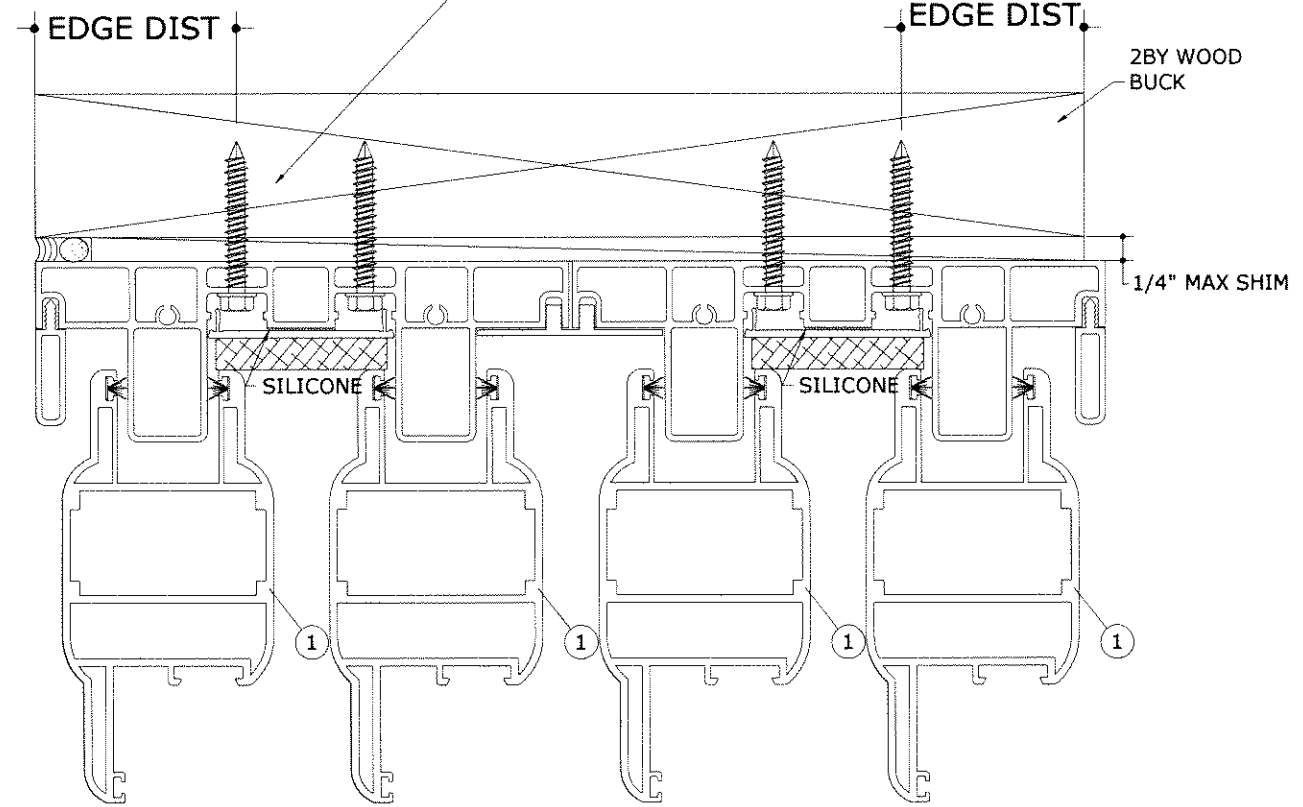
ANCHORS PER ANCHOR SCHEDULE. SEE SHEET 3 FOR SPACING AND QTY AT CLUSTERS.



ANCHORS PER ANCHOR SCHEDULE. SEE SHEET 3 FOR SPACING AND QTY AT CLUSTERS.

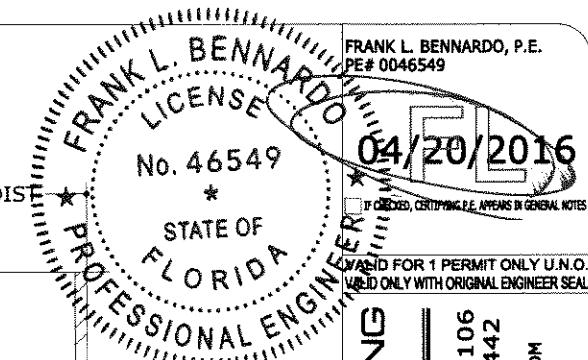


ANCHORS PER ANCHOR SCHEDULE. SEE SHEET 3 FOR SPACING AND QTY AT CLUSTERS.



WOOD BUCKS AND METAL STRUCTURE NOT BY LA FINESTRA. MUST SUSTAIN LOADS IMPOSED BY GLAZING SYSTEM AND TRANSFER THEM TO THE BUILDING STRUCTURE.

NOTE:  
EXTRUSIONS NOT TO SCALE.



**ENGINEERING EXPRESS**  
 CORPORATE OFFICE:  
 160 SW 12th AVE, SUITE 106  
 DEERFIELD BEACH, FL 33442  
 P: (954) 354-0660 F: (954) 354-0443  
 E: HELLO@ENGINEERINGEXPRESS.COM  
 ENGINEERINGEXPRESS.COM  
 CERT OF AUTH #9885

**LA FINESTRA, LC**  
 2790 NW 104TH COURT  
 DORAL, FL  
 (305) 599-8093  
 FLORIDA PRODUCT APPROVAL (2) DOORS  
 2790 NW 104TH COURT, MIAMI, FL  
 FBC 5TH EDITION (2014) PRODUCT APPROVAL #, FL

| REMARKS    | DRWN | CHKD | DATE     |
|------------|------|------|----------|
| INIT ISSUE | JEM  | AJP  | 12/16/15 |

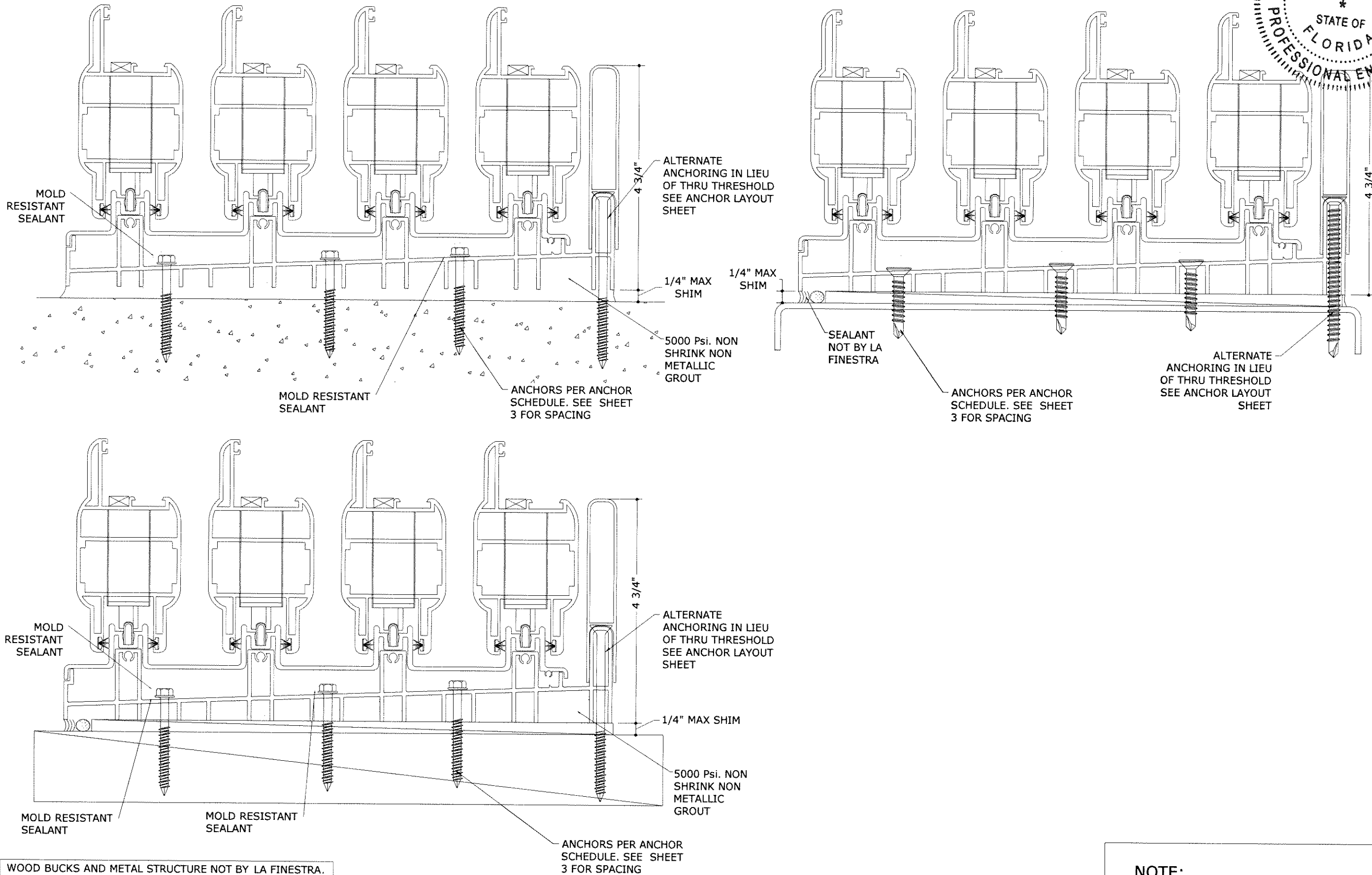
THIS DOCUMENT IS THE PROPERTY OF ENGINEERING EXPRESS AND SHALL NOT BE REPRODUCED IN WHOLE OR PART WITHOUT WRITTEN CONSENT OF ENGINEERING EXPRESS. ALTERATIONS, ADDITIONS, OR OTHER MARKINGS TO THIS DOCUMENT ARE NOT PERMITTED AND INVALIDATE OUR CERTIFICATION.

COPYRIGHT ENGINEERING EXPRESS ©  
 15-2257  
 SCALE: N.T.S.  
 18 of 28

C:\Users\joem\appdata\local\temp\AcPublish\_10044115-2257\_02c Product approval - 2nd submittal.dwg joem 04/20/2016 - 4:41pm

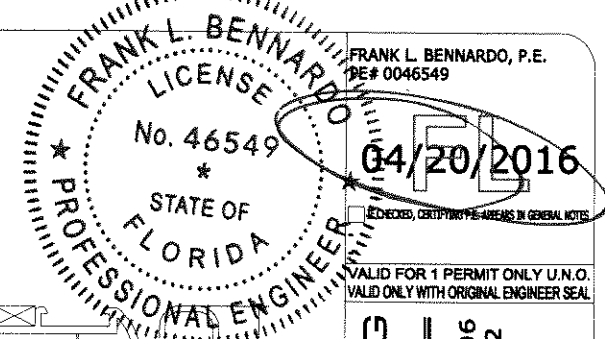


# 4 TRACK ANCHORING



WOOD BUCKS AND METAL STRUCTURE NOT BY LA FINESTRA. MUST SUSTAIN LOADS IMPOSED BY GLAZING SYSTEM AND TRANSFER THEM TO THE BUILDING STRUCTURE.

NOTE:  
EXTRUSIONS NOT TO SCALE.



**ENGINEERING EXPRESS®**  
 CORPORATE OFFICE:  
 160 SW 12th AVE, SUITE 106  
 DEERFIELD BEACH, FL 33442  
 P: (954) 354-0660 F: (954) 354-0443  
 E: HELLO@ENGINEERINGEXPRESS.COM  
 ENGINEERINGEXPRESS.COM  
 CERT OF AUTH # 9885

**LA FINESTRA, LC**  
 2790 NW 104TH COURT  
 DORAL, FL  
 (305) 599-8093  
 FLORIDA PRODUCT APPROVAL (2) DOORS  
 2790 NW 104TH COURT, MIAMI, FL  
 FBC 5TH EDITION (2014) PRODUCT APPROVAL #, FL

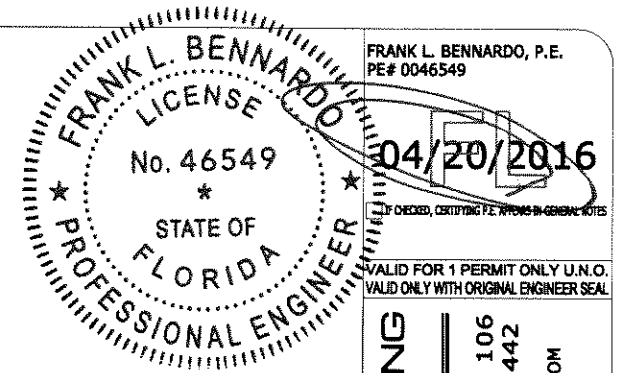
| REMARKS    | DRWN | CHKD | DATE     |
|------------|------|------|----------|
| INIT ISSUE | JEM  | AJP  | 12/18/15 |

THIS DOCUMENT IS THE PROPERTY OF ENGINEERING EXPRESS, AND SHALL NOT BE REPRODUCED IN WHOLE OR PART WITHOUT WRITTEN CONSENT OF ENGINEERING EXPRESS. ALTERATIONS, ADDITIONS, OR OTHER MARKINGS TO THIS DOCUMENT ARE NOT PERMITTED AND INVALIDATE OUR CERTIFICATION.

COPYRIGHT ENGINEERING EXPRESS®  
 15-2257  
 SCALE: N.T.S.

V:\Projects\15-2257 Florida Product Approval (2) Doors\Sliding Glass Door 2nd Submittal\Drawings\Product approval - 2nd Submittal.dwg  
 04/20/2016 - 5:45pm  
 jjem

# 4 TRACK ANCHORING



**ENGINEERING EXPRESS®**  
CORPORATE OFFICE:  
160 SW 12th AVE, SUITE 106  
DEERFIELD BEACH, FL 33442  
P: (954) 354-0660 F: (954) 354-0443  
E: HELLO@ENGINEERINGEXPRESS.COM  
ENGINEERINGEXPRESS.COM  
CERT OF AUTH #9885

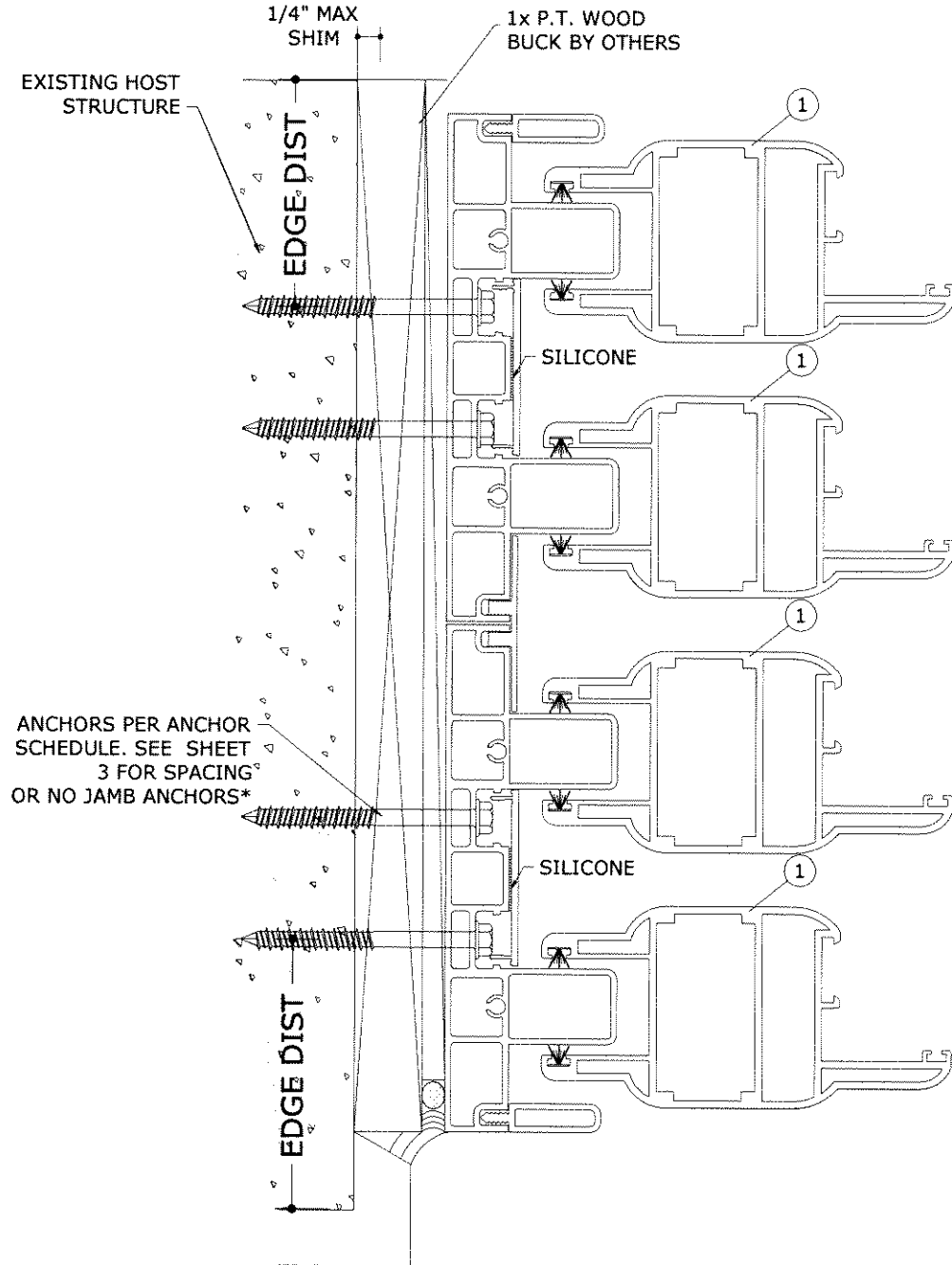
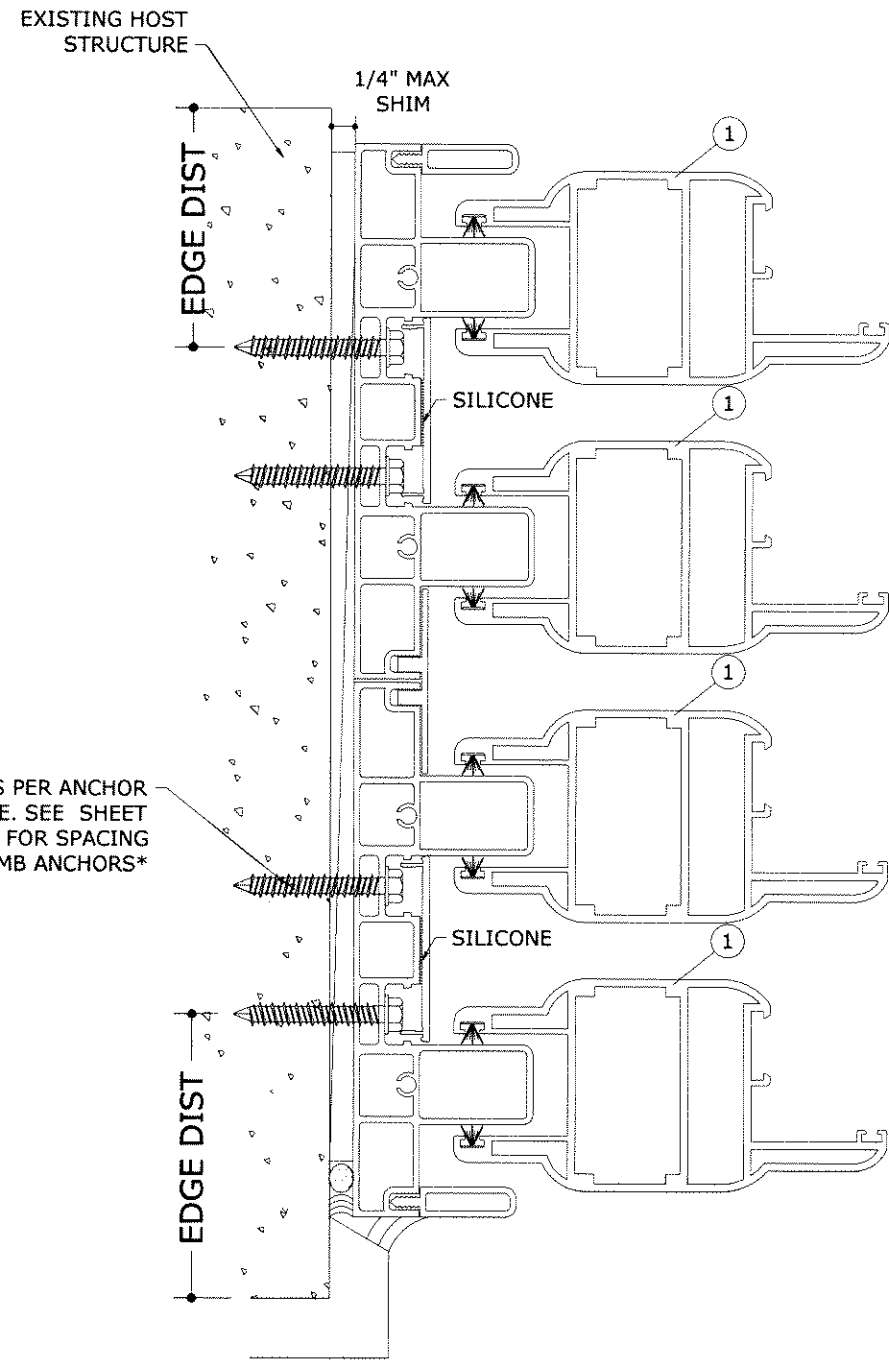
**LA FINESTRA, LC**  
2790 NW 104TH COURT  
DORAL, FL  
(305) 599-8093  
FLORIDA PRODUCT APPROVAL (2) DOORS  
2790 NW 104TH COURT, MIAMI, FL  
FBC 5TH EDITION (2014) PRODUCT APPROVAL #, FL

| REMARKS    | DRWN | CHKD | DATE     |
|------------|------|------|----------|
| INIT ISSUE | JEM  | AJP  | 12/16/15 |
|            |      |      |          |
|            |      |      |          |

THIS DOCUMENT IS THE PROPERTY OF ENGINEERING EXPRESS, AND SHALL NOT BE REPRODUCED IN WHOLE OR PART WITHOUT WRITTEN CONSENT OF ENGINEERING EXPRESS. ALTERATIONS, ADDITIONS, OR OTHER MARKINGS TO THIS DOCUMENT ARE NOT PERMITTED AND INVALIDATE OUR CERTIFICATION.

COPYRIGHT ENGINEERING EXPRESS®  
15-2257  
SCALE: N.T.S.

20 OF 28



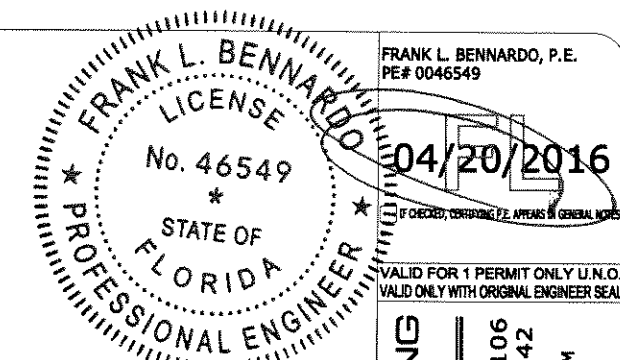
ANCHORS PER ANCHOR SCHEDULE. SEE SHEET 3 FOR SPACING OR NO JAMB ANCHORS\*

ANCHORS PER ANCHOR SCHEDULE. SEE SHEET 3 FOR SPACING OR NO JAMB ANCHORS\*

\* SEALANT ON JAMBS WITH NO ANCHORS SHALL BE DESIGNED BY OTHERS.

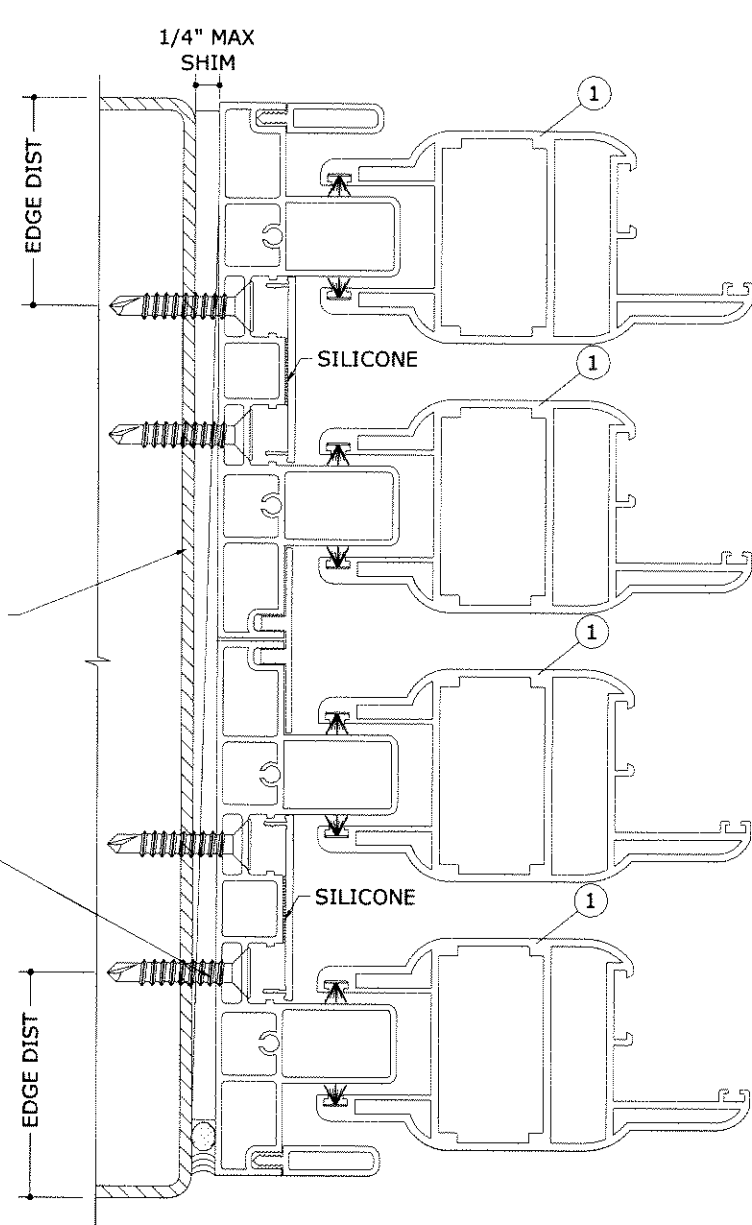
NOTE:  
EXTRUSIONS NOT TO SCALE.

# 4 TRACK ANCHORING



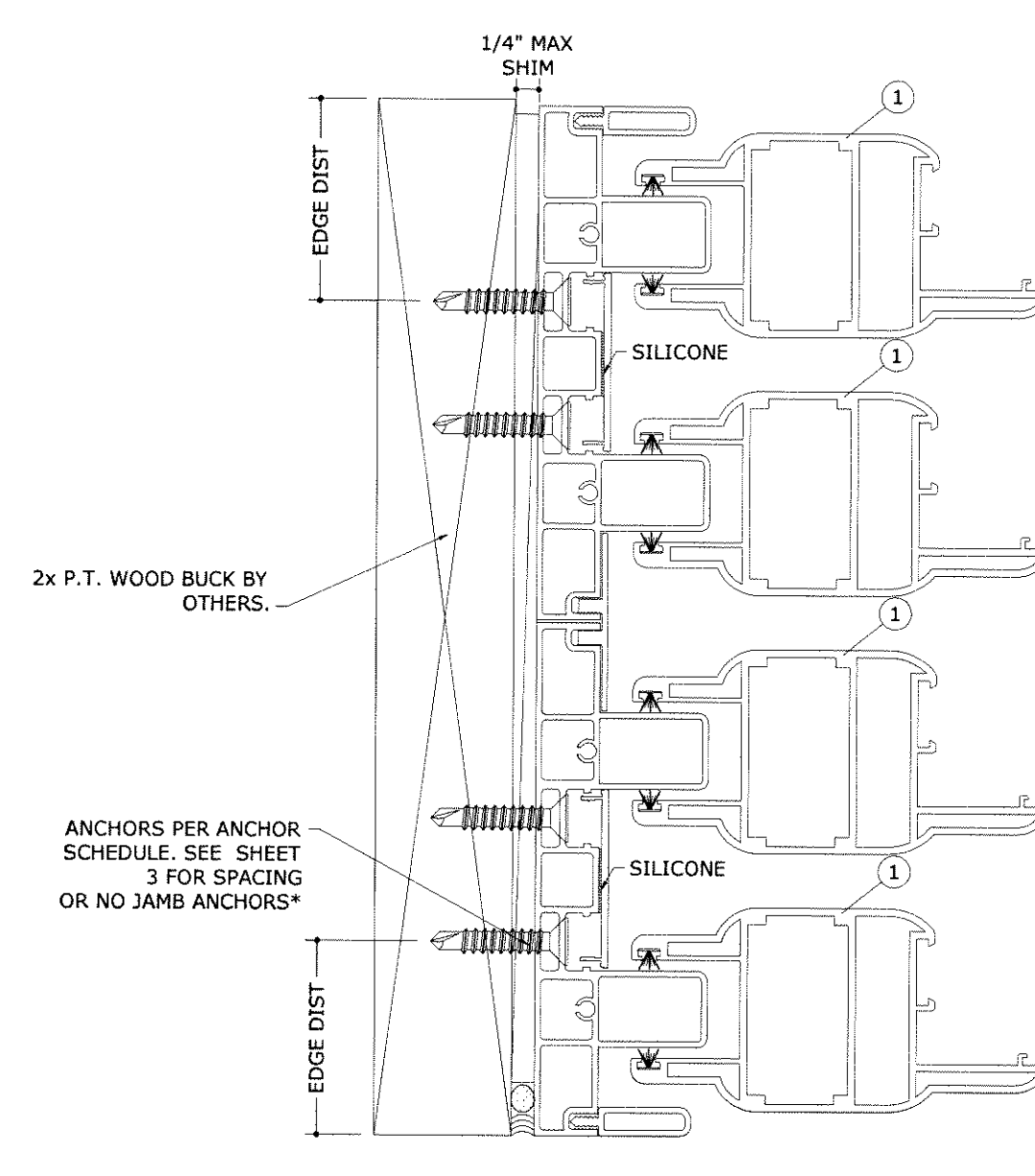
**ENGINEERING EXPRESS®**  
 CORPORATE OFFICE:  
 160 SW 12th AVE, SUITE 106  
 DEERFIELD BEACH, FL 33442  
 P: (954) 354-0660 F: (954) 354-0443  
 E: HELLO@ENGINEERINGEXPRESS.COM  
 ENGINEERINGEXPRESS.COM  
 CERT OF AUTH #9885

**LA FINESTRA, LC**  
 2790 NW 104TH COURT  
 DORAL, FL  
 (305) 599-8093  
 FLORIDA PRODUCT APPROVAL (2) DOORS  
 2790 NW 104TH COURT, MIAMI, FL  
 FBC 5TH EDITION (2014) PRODUCT APPROVAL #, FL



METAL STRUCTURES  
 (STEEL OR ALUM. 1/8"  
 MIN. THICK)  
 STEEL: Fy= 36 KSI MIN.  
 ALUMINUM: 6063-T5  
 MIN.

ANCHORS PER ANCHOR  
 SCHEDULE. SEE SHEET  
 3 FOR SPACING  
 OR NO JAMB ANCHORS\*



2x P.T. WOOD BUCK BY  
 OTHERS.

ANCHORS PER ANCHOR  
 SCHEDULE. SEE SHEET  
 3 FOR SPACING  
 OR NO JAMB ANCHORS\*

\* SEALANT ON JAMBS WITH NO ANCHORS  
 SHALL BE DESIGNED BY OTHERS.

NOTE:  
 EXTRUSIONS NOT TO SCALE.

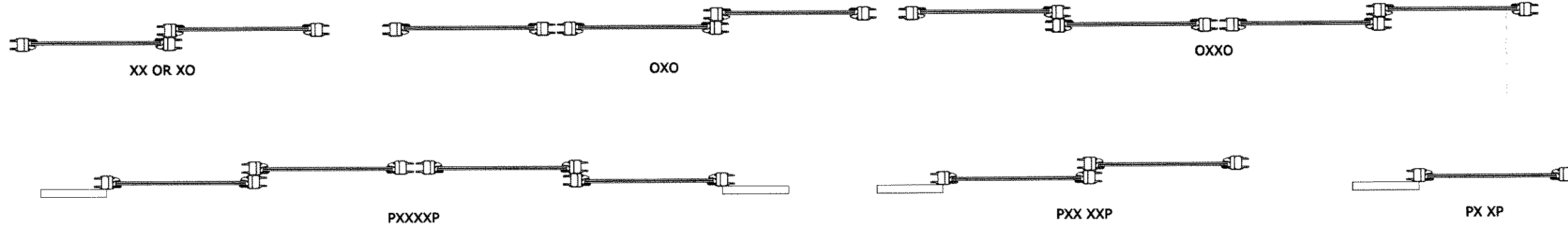
| REMARKS    | DRWN | CHKD | DATE     |
|------------|------|------|----------|
| INIT ISSUE | JEM  | AJP  | 12/18/15 |
|            |      |      |          |
|            |      |      |          |
|            |      |      |          |

THIS DOCUMENT IS THE PROPERTY OF ENGINEERING EXPRESS, AND SHALL NOT BE REPRODUCED IN WHOLE OR PART WITHOUT WRITTEN CONSENT OF ENGINEERING EXPRESS. ALTERATIONS, ADDITIONS, OR OTHER MARKINGS TO THIS DOCUMENT ARE NOT PERMITTED AND INVALIDATE OUR CERTIFICATION.

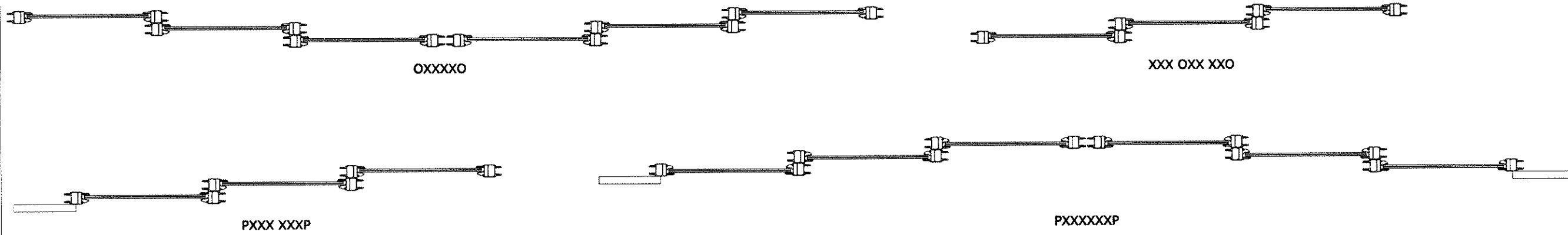
COPYRIGHT ENGINEERING EXPRESS ©  
 15-2257  
 SCALE: N.T.S.  
 21 of 28

# TRACK CONFIGURATION

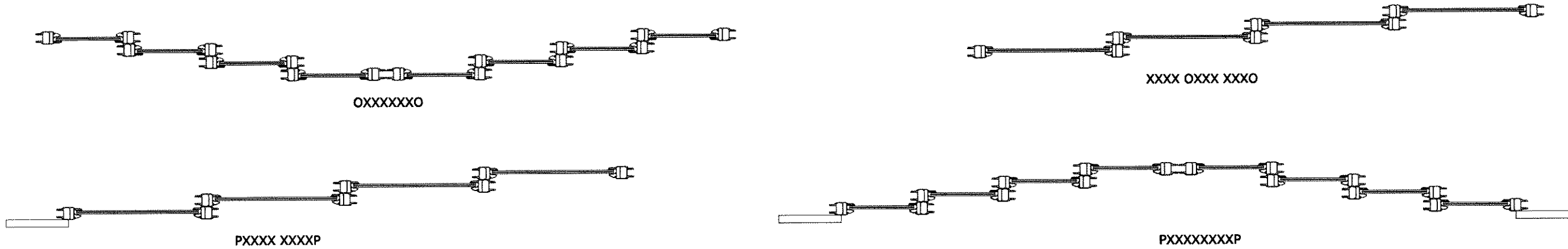
## 2 TRACK CONFIGURATIONS



## 3 TRACK CONFIGURATIONS

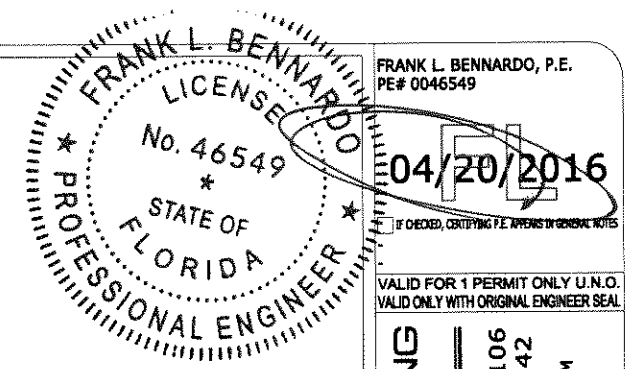


## 4 TRACK CONFIGURATIONS



NOTE: OTHER CUSTOM CONFIGURATIONS WITH UNLIMITED DOORS ALLOWED UNDER SITE SPECIFIC CONDITIONS.

"X" = MOVABLE PANEL  
 "O" = FIXED PANEL  
 "P" = POCKET



**ENGINEERING EXPRESS**  
 CORPORATE OFFICE:  
 160 SW 12th AVE, SUITE 106  
 DEERFIELD BEACH, FL 33442  
 P: (954) 354-0660 F: (954) 354-0443  
 E: HELLO@ENGINEERINGEXPRESS.COM  
 ENGINEERINGEXPRESS.COM  
 CERT OF AUTH #9885

**LA FINESTRA, LC**  
 2790 NW 104TH COURT  
 DORAL, FL  
 (305) 599-8093  
 FLORIDA PRODUCT APPROVAL (2) DOORS  
 2790 NW 104TH COURT, MIAMI, FL  
 FBC 5TH EDITION (2014) PRODUCT APPROVAL #, FL

| DRWN | CHKD | DATE     |
|------|------|----------|
| JEM  | AJP  | 12/16/15 |
|      |      |          |
|      |      |          |

REMARKS  
 INIT ISSUE

THIS DOCUMENT IS THE PROPERTY OF ENGINEERING EXPRESS AND SHALL NOT BE REPRODUCED IN WHOLE OR PART WITHOUT WRITTEN CONSENT OF ENGINEERING EXPRESS. ALTERATIONS, ADDITIONS, OR OTHER MARKINGS TO THIS DOCUMENT ARE NOT PERMITTED AND INVALIDATE OUR CERTIFICATION.

COPYRIGHT ENGINEERING EXPRESS ©  
 15-2257  
 SCALE: N.T.S.  
 22

C:\Users\joem\appdata\local\temp\AcPublish\_10044115-2257\_02c Product approval - 2nd submittal.dwg joem 04/20/2016 - 4:41pm

# FRAME ASSEMBLY

PART #0410 BY MONTICELLI

SCREW PART # 10A

PART #5003 BY MONTICELLI

SCREW PART # 10A

APPLY SEALANT ON ALL FRAME JOINTS (TYP.)

## SLIDING DOOR FRAME ASSEMBLY (TOP)

#10x 4 PHILLIPS FH SMS SCREWS

APPLY PECORA 895 STRUCTURAL SEALANT ON ALL FRAME JOINTS (TYP.)

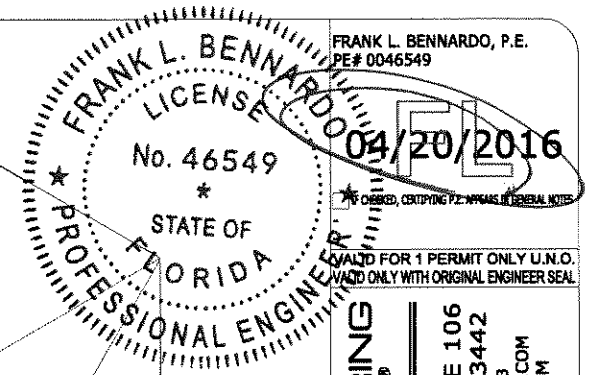
NOTCH THRESHOLD TO ALLOW INSTALLATION OF VERTICAL FRAME (JAMB).

APPLY SEALANT ON ALL FRAME JOINTS (TYP.)

## SLIDING DOOR PANEL ASSEMBLY (TYP.)

## SLIDING DOOR FRAME ASSEMBLY (BOTTOM)

NOTE: EXTRUSIONS NOT TO SCALE.



**ENGINEERING EXPRESS**  
 CORPORATE OFFICE:  
 160 SW 12th AVE, SUITE 106  
 DEERFIELD BEACH, FL 33442  
 P: (954) 354-0660 F: (954) 354-0443  
 E: HELLO@ENGINEERINGEXPRESS.COM  
 ENGINEERINGEXPRESS.COM  
 CERT OF AUTH #9885

**LA FINESTRA, LC**  
 2790 NW 104TH COURT  
 DORAL, FL  
 (305) 599-8093  
 FLORIDA PRODUCT APPROVAL (2) DOORS  
 2790 NW 104TH COURT, MIAMI, FL  
 FBC 5TH EDITION (2014) PRODUCT APPROVAL #, FL

| DRWN | CHKD | DATE     |
|------|------|----------|
| JEM  | AJP  | 12/16/15 |

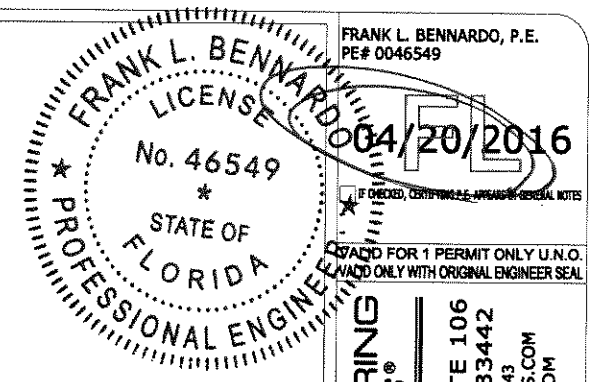
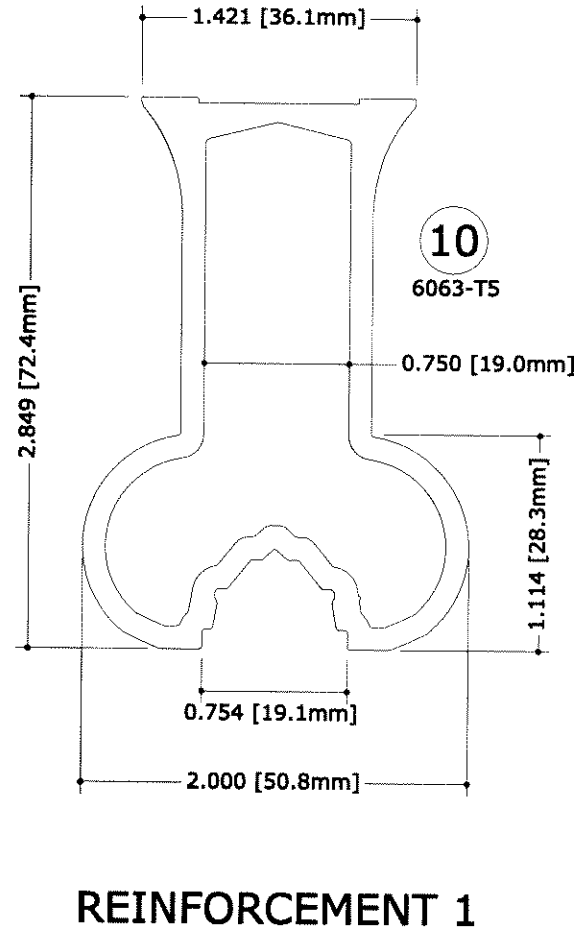
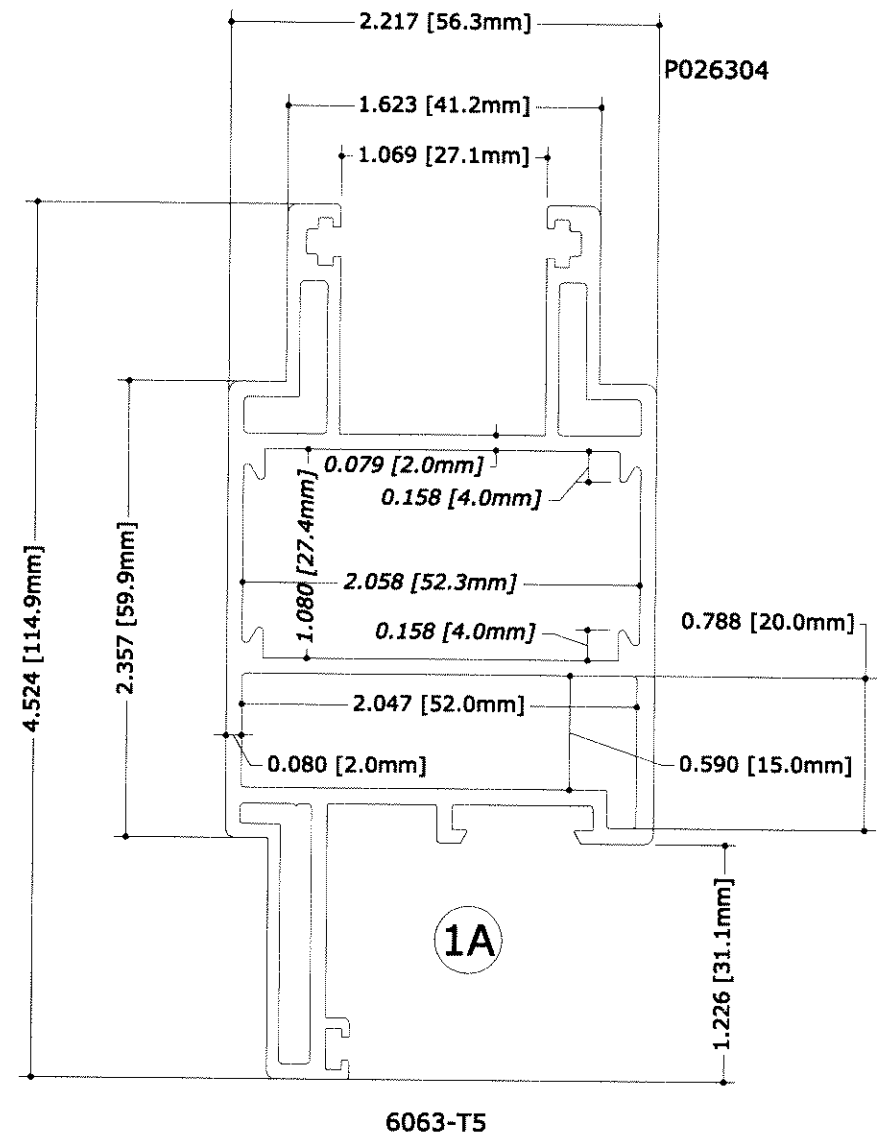
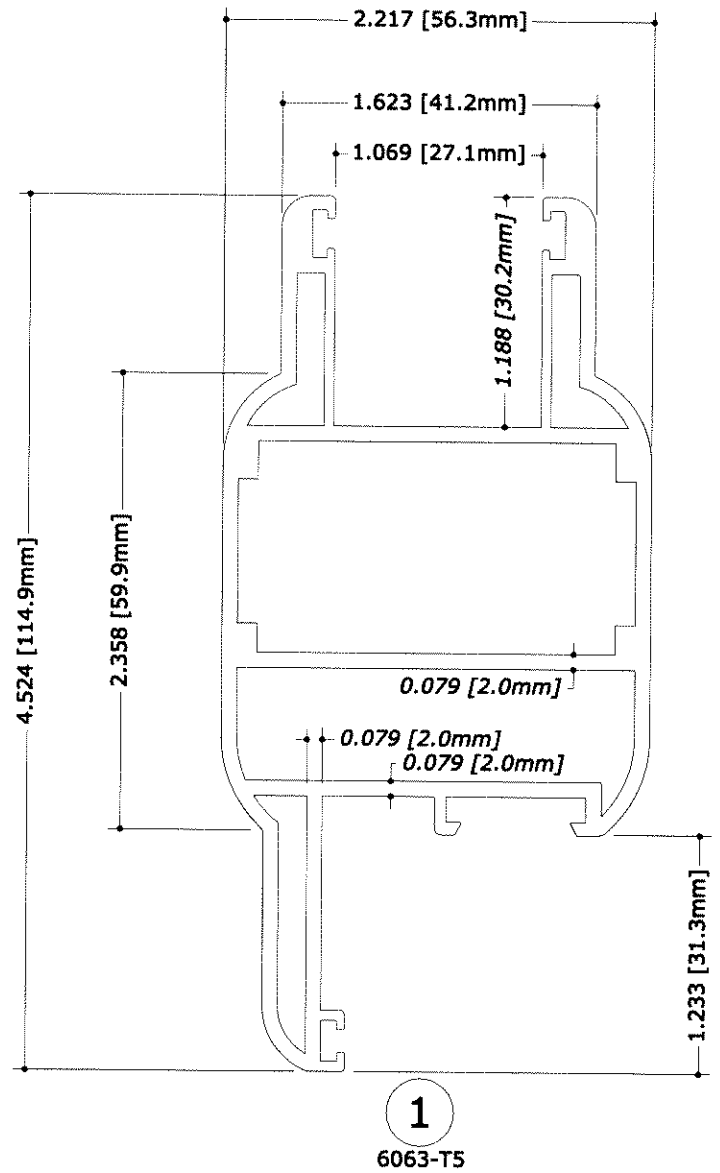
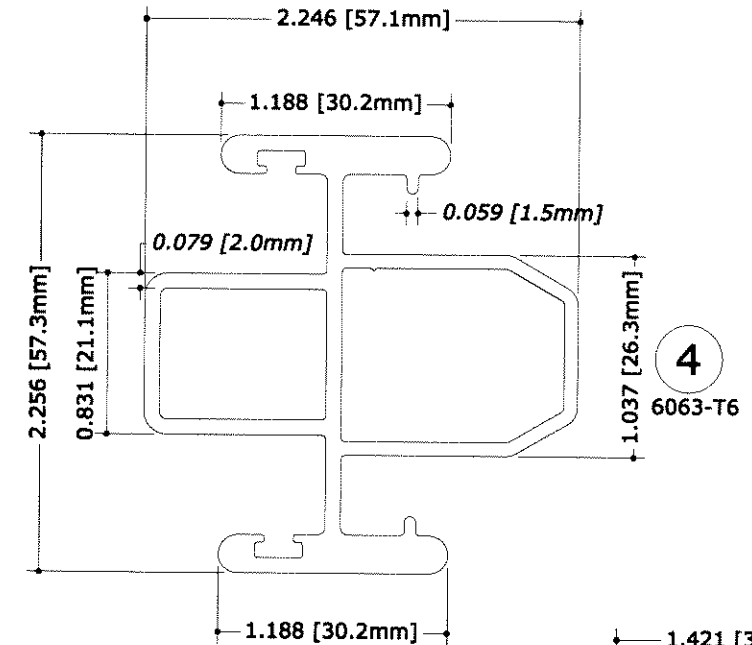
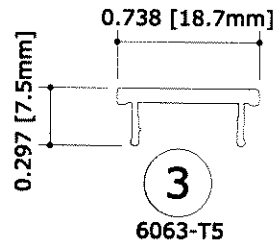
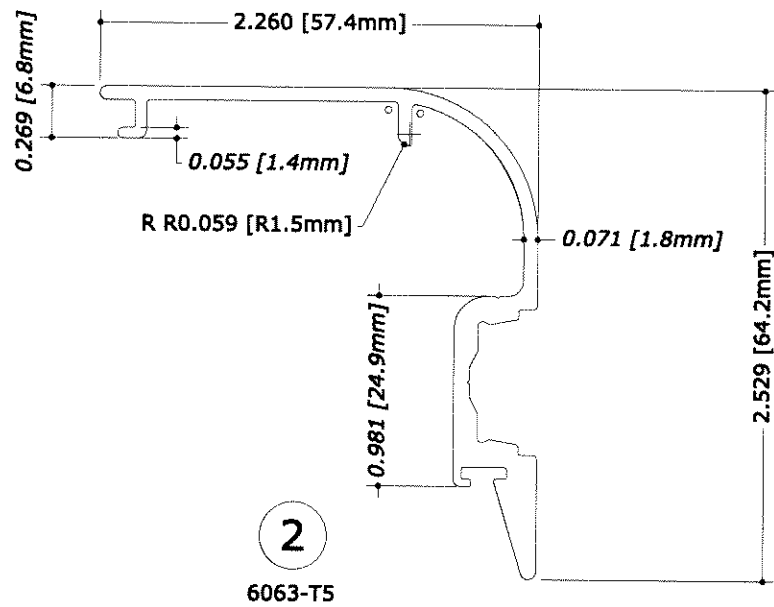
REMARKS  
 INIT ISSUE

THIS DOCUMENT IS THE PROPERTY OF ENGINEERING EXPRESS, AND SHALL NOT BE REPRODUCED IN WHOLE OR PART WITHOUT WRITTEN CONSENT OF ENGINEERING EXPRESS. ALTERATIONS, ADDITIONS, OR OTHER MARKINGS TO THIS DOCUMENT ARE NOT PERMITTED AND INVALIDATE OUR CERTIFICATION.

COPYRIGHT ENGINEERING EXPRESS ©  
**15-2257**  
 SCALE: N.T.S.

C:\Users\joem\appdata\local\temp\AcPublish\_10044115-2257\_02c Product approval - 2nd submittal.dwg joem 04/20/2016 - 4:41pm

# EXTRUSIONS



**ENGINEERING EXPRESS**  
 CORPORATE OFFICE:  
 160 SW 12th AVE, SUITE 106  
 DEERFIELD BEACH, FL 33442  
 P: (954) 354-0660 F: (954) 354-0443  
 E: HELLO@ENGINEERINGEXPRESS.COM  
 ENGINEERINGEXPRESS.COM  
 CERT OF AUTH #9885

**LA FINESTRA, LC**  
 2790 NW 104TH COURT  
 DORAL, FL  
 (305) 599-8093  
 FLORIDA PRODUCT APPROVAL (2) DOORS  
 2790 NW 104TH COURT, MIAMI, FL  
 FBC 5TH EDITION (2014) PRODUCT APPROVAL #, FL

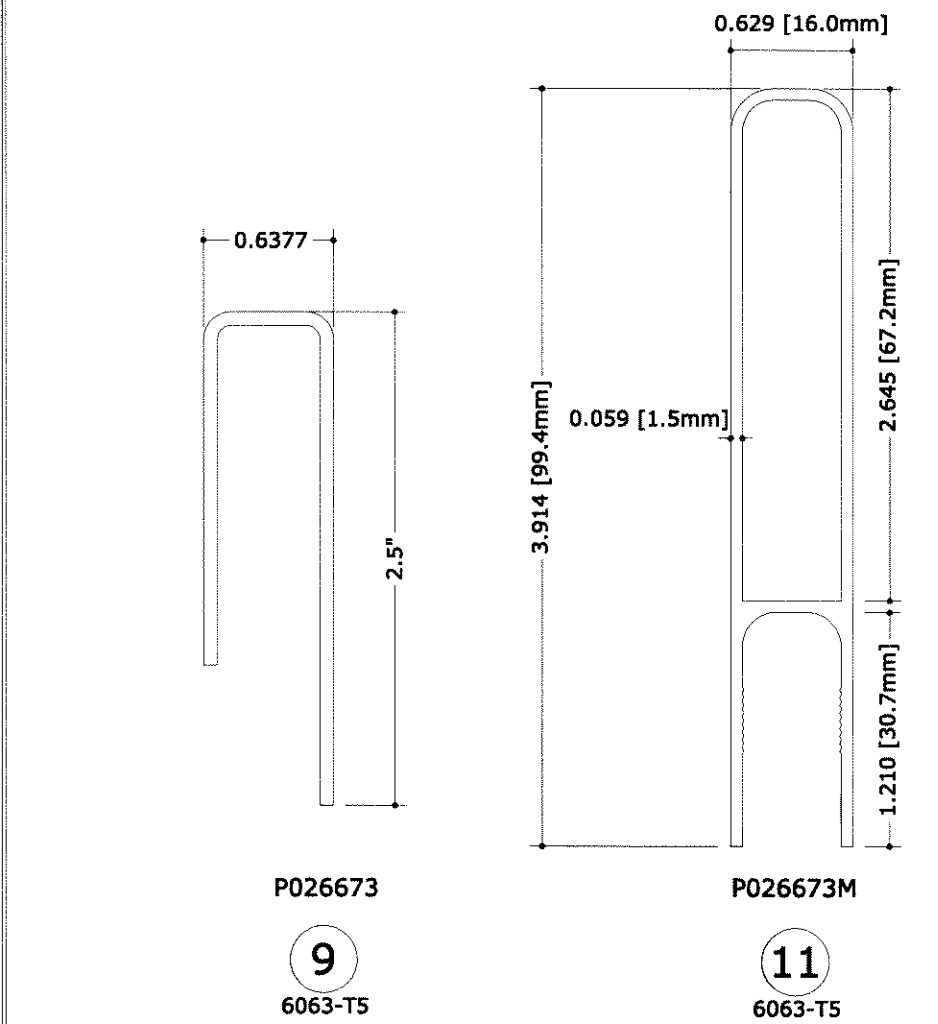
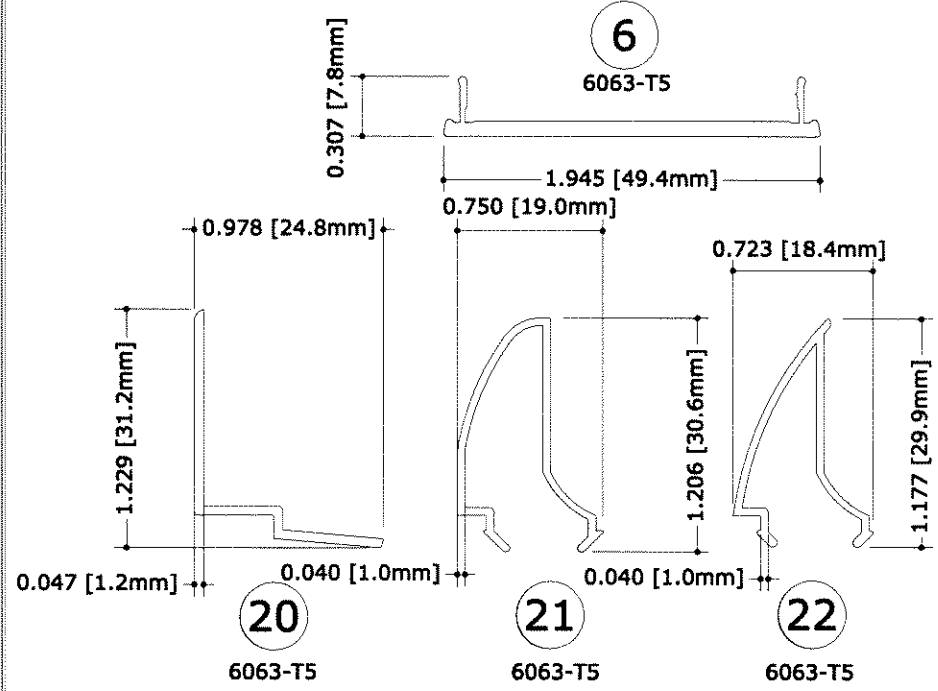
| REMARKS | INIT | ISSUE | CHKD | DATE     |
|---------|------|-------|------|----------|
|         | JEM  | AJP   |      | 12/18/15 |

THIS DOCUMENT IS THE PROPERTY OF ENGINEERING EXPRESS AND SHALL NOT BE REPRODUCED IN WHOLE OR PART WITHOUT WRITTEN CONSENT OF ENGINEERING EXPRESS. ALTERATIONS, ADDITIONS, OR OTHER MARKINGS TO THIS DOCUMENT ARE NOT PERMITTED AND INVALIDATE OUR CERTIFICATION.

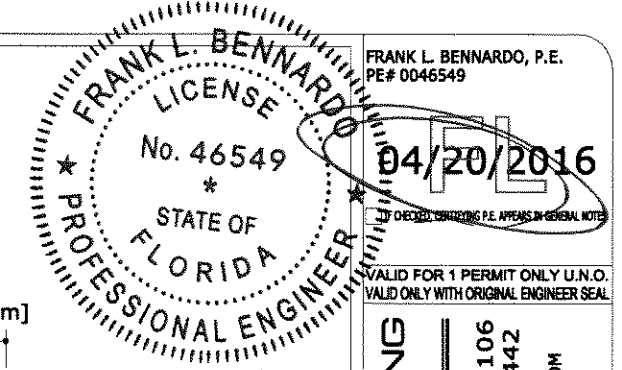
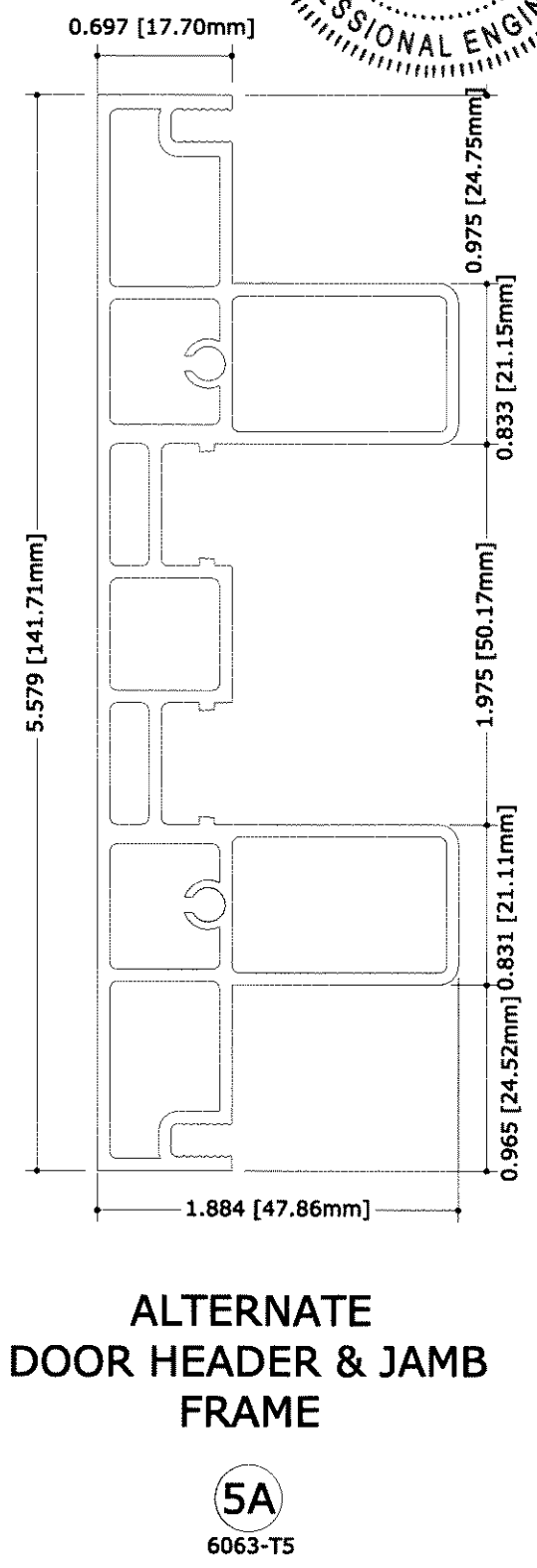
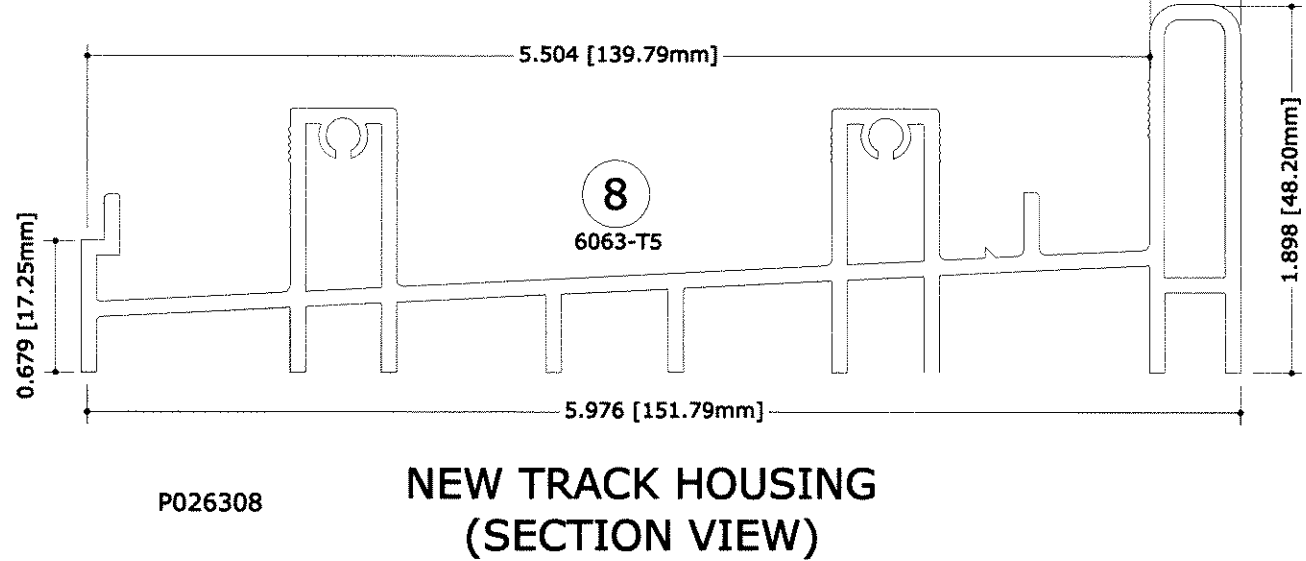
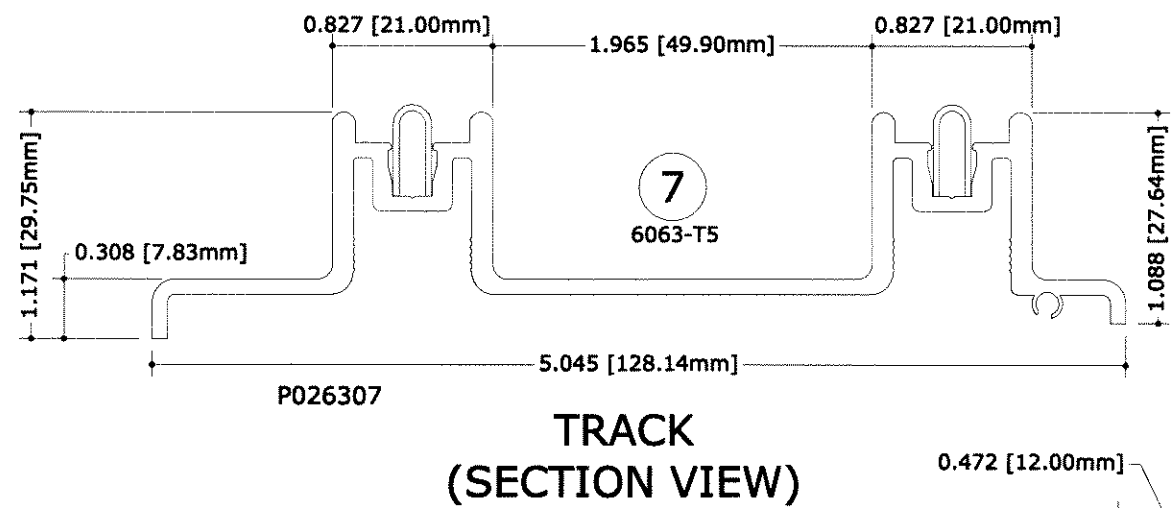
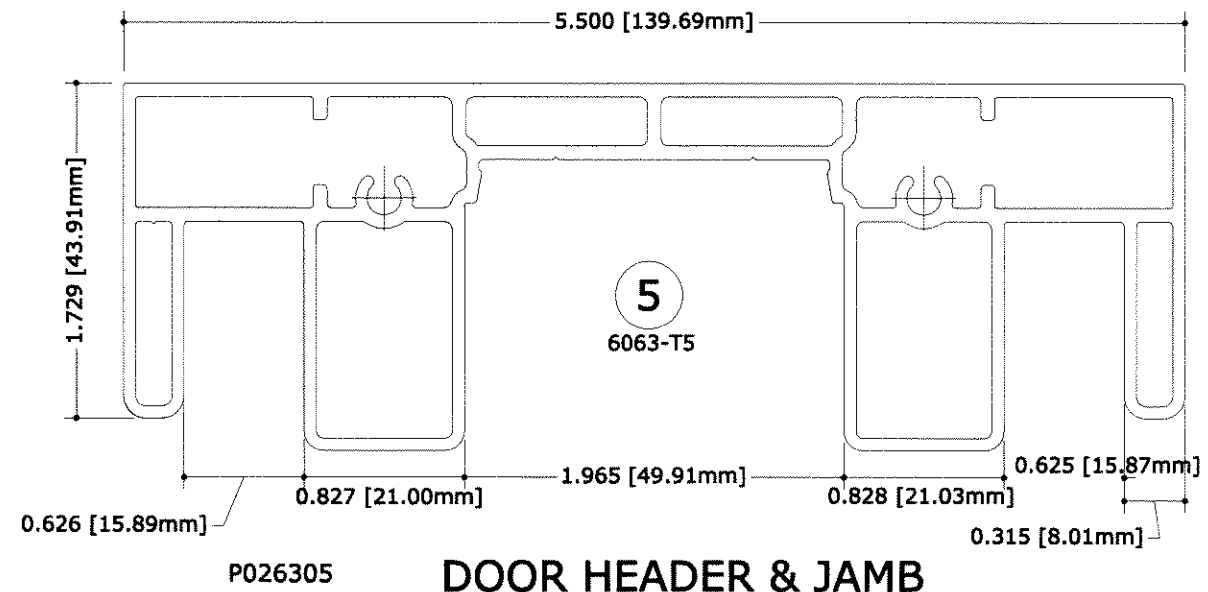
COPYRIGHT ENGINEERING EXPRESS®  
 15-2257  
 SCALE: N.T.S.

C:\Users\joem\appdata\local\temp\AcPublish\_10044115-2257\_02c Product approval - 2nd submittal.dwg

C:\Users\joem\appdata\local\temp\AcPublish\_1004415-2257\_02c Product approval - 2nd submittal.dwg  
 joem  
 04/20/2016 - 4:41pm



# EXTRUSIONS



FRANK L. BENNARDO, P.E.  
 PE# 0046549  
 04/20/2016  
 LICENSE No. 46549  
 STATE OF FLORIDA  
 PROFESSIONAL ENGINEER  
 VALID FOR 1 PERMIT ONLY U.N.O.  
 VALID ONLY WITH ORIGINAL ENGINEER SEAL

**ENGINEERING EXPRESS**  
 CORPORATE OFFICE:  
 160 SW 12th AVE, SUITE 106  
 DEERFIELD BEACH, FL 33442  
 P: (954) 354-0660 F: (954) 354-0443  
 E: HELLO@ENGINEERINGEXPRESS.COM  
 ENGINEERINGEXPRESS.COM  
 CERT OF AUTH # 9885

**LA FINESTRA, LC**  
 2790 NW 104TH COURT  
 DORAL, FL  
 (305) 599-8093  
 FLORIDA PRODUCT APPROVAL (2) DOORS  
 2790 NW 104TH COURT, MIAMI, FL  
 FBC 5TH EDITION (2014) PRODUCT APPROVAL #, FL

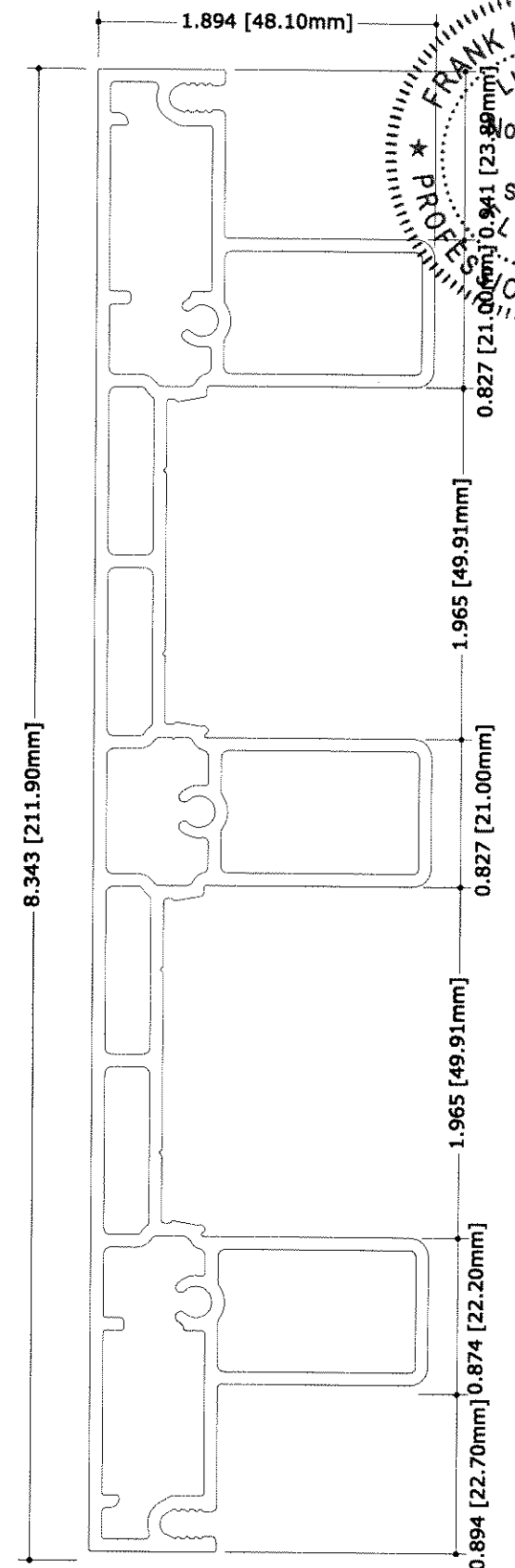
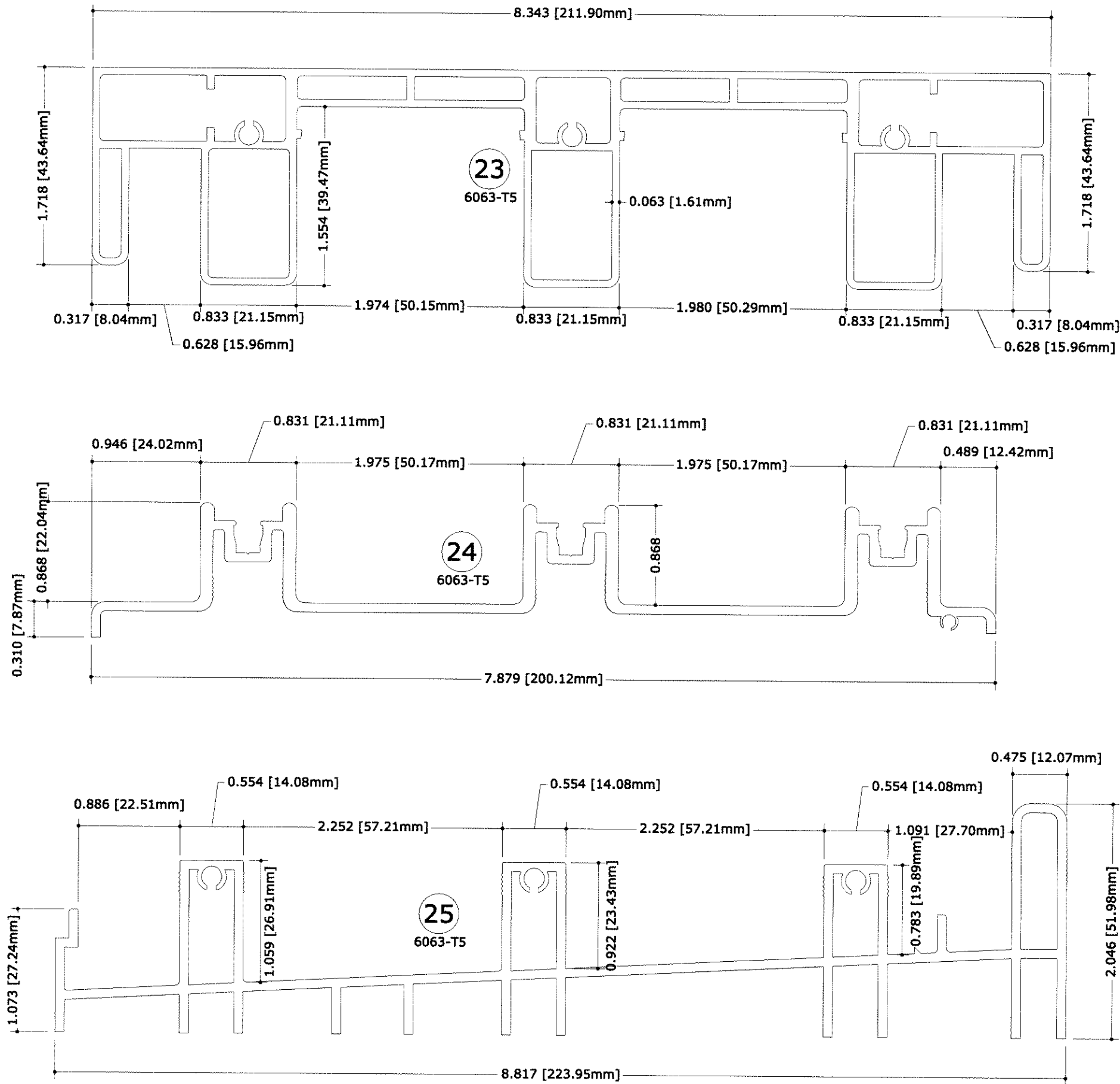
| REMARKS    | DATE     |
|------------|----------|
| INIT ISSUE | 12/16/15 |
| DRWN       |          |
| CHKD       |          |
| JEM        |          |
| AJP        |          |

THIS DOCUMENT IS THE PROPERTY OF ENGINEERING EXPRESS AND SHALL NOT BE REPRODUCED IN WHOLE OR PART WITHOUT WRITTEN CONSENT OF ENGINEERING EXPRESS. ALTERATIONS, ADDITIONS, OR OTHER MARKINGS TO THIS DOCUMENT ARE NOT PERMITTED AND INVALIDATE OUR CERTIFICATION.

COPYRIGHT ENGINEERING EXPRESS ©

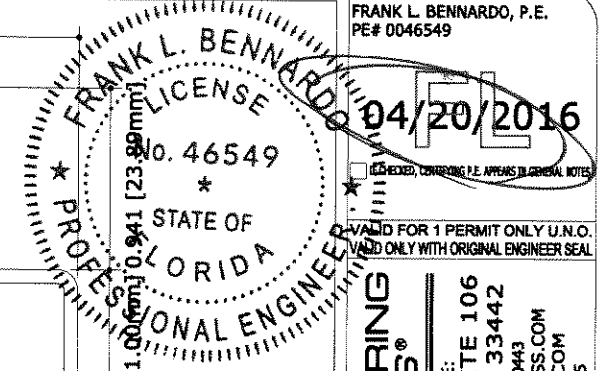
15-2257  
 SCALE: N.T.S.  
 25

# EXTRUSIONS



**ALTERNATE  
DOOR HEADER & JAMB  
FRAME**

**23A**  
6063-T5



FRANK L. BENNARDO, P.E.  
PE# 0046549

04/20/2016

VALID FOR 1 PERMIT ONLY U.N.O.  
VOID ONLY WITH ORIGINAL ENGINEER SEAL

**ENGINEERING EXPRESS**  
CORPORATE OFFICE:  
160 SW 12th AVE, SUITE 106  
DEERFIELD BEACH, FL 33442  
P: (954) 354-0660 F: (954) 354-0443  
E: HELLO@ENGINEERINGEXPRESS.COM  
ENGINEERINGEXPRESS.COM  
CERT OF AUTH #9885

**LA FINESTRA, LC**  
2790 NW 104TH COURT  
DORAL, FL  
(305) 599-8093

FLORIDA PRODUCT APPROVAL (2) DOORS  
2790 NW 104TH COURT, MIAMI, FL  
FBC 5TH EDITION (2014) PRODUCT APPROVAL #, FL

| REMARKS | INIT | ISSUE | DRWN | CHKD | DATE     |
|---------|------|-------|------|------|----------|
|         | JEM  |       | AJP  |      | 12/16/15 |

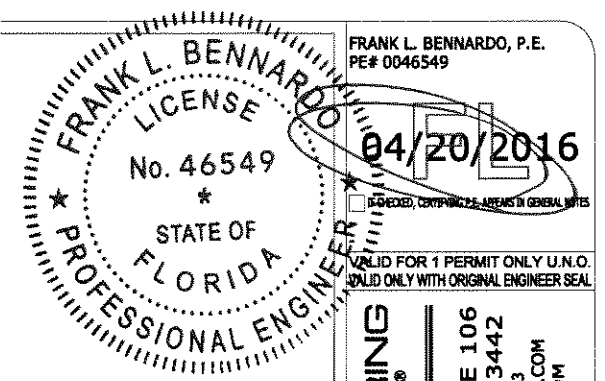
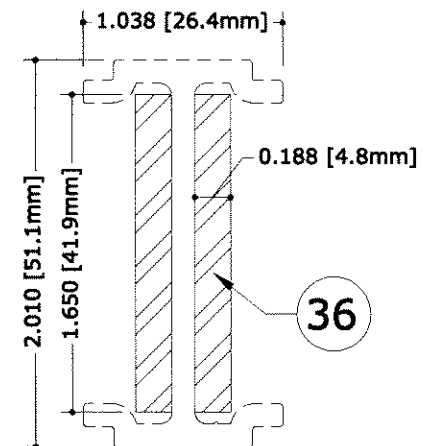
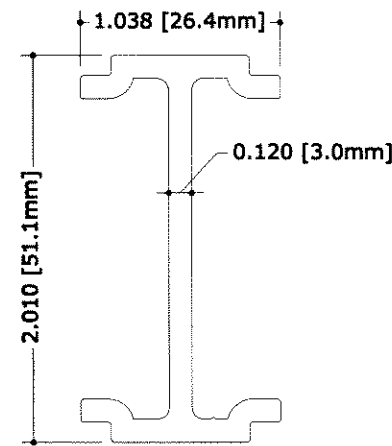
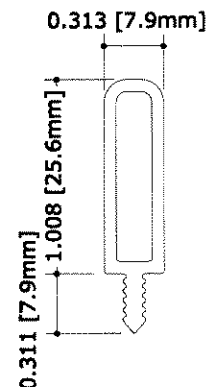
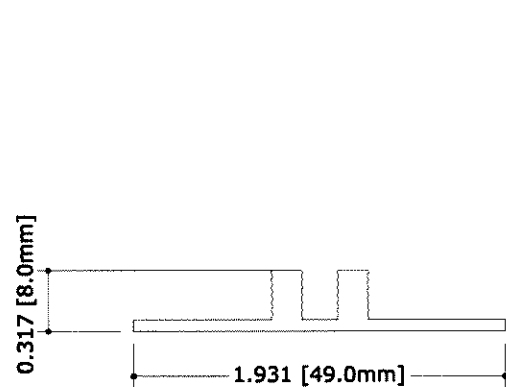
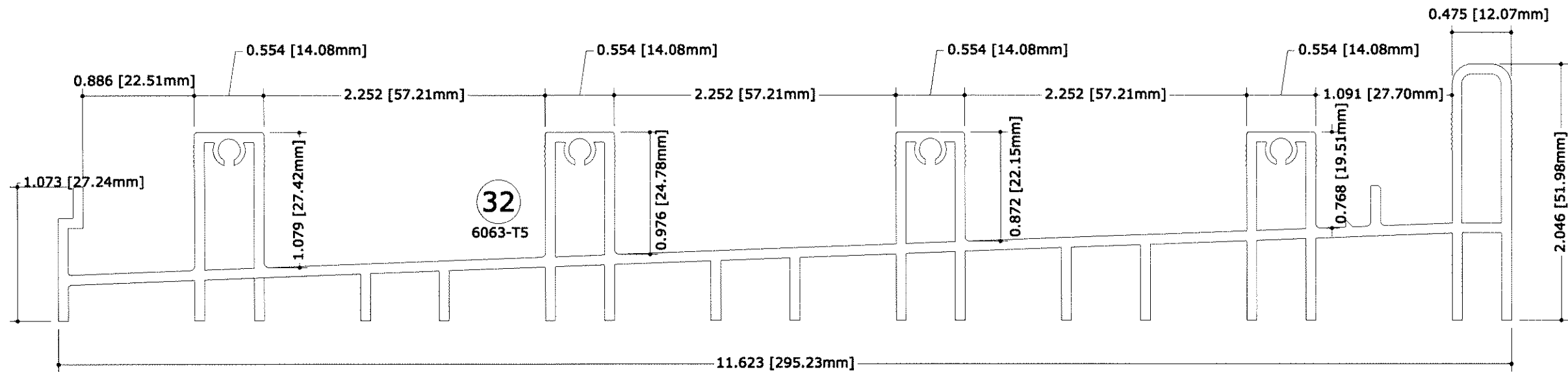
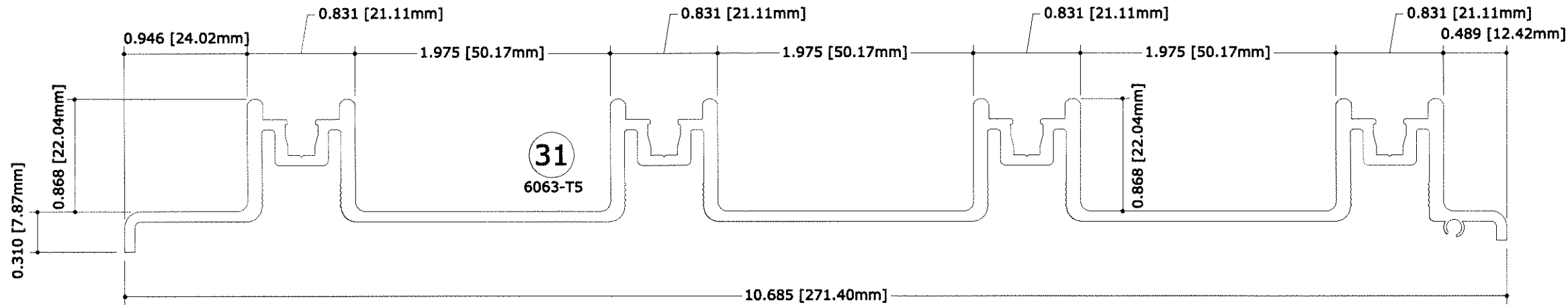
THIS DOCUMENT IS THE PROPERTY OF ENGINEERING EXPRESS, AND SHALL NOT BE REPRODUCED IN WHOLE OR PART WITHOUT WRITTEN CONSENT OF ENGINEERING EXPRESS. ALTERATIONS, ADDITIONS, OR OTHER MARKINGS TO THIS DOCUMENT ARE NOT PERMITTED AND INVALIDATE OUR CERTIFICATION.

COPYRIGHT ENGINEERING EXPRESS ©  
**15-2257**  
SCALE: N.T.S.

26



# EXTRUSIONS



**ENGINEERING EXPRESS**  
CORPORATE OFFICE:  
160 SW 12th AVE, SUITE 106  
DEERFIELD BEACH, FL 33442  
P: (954) 354-0660 F: (954) 354-0443  
E: HELLO@ENGINEERINGEXPRESS.COM  
ENGINEERINGEXPRESS.COM  
CERT OF AUTH #9885

**LA FINESTRA, LC**  
2790 NW 104TH COURT  
DORAL, FL  
(305) 599-8093  
FLORIDA PRODUCT APPROVAL (2) DOORS  
2790 NW 104TH COURT, MIAMI, FL  
FBC 5TH EDITION (2014) PRODUCT APPROVAL #, FL

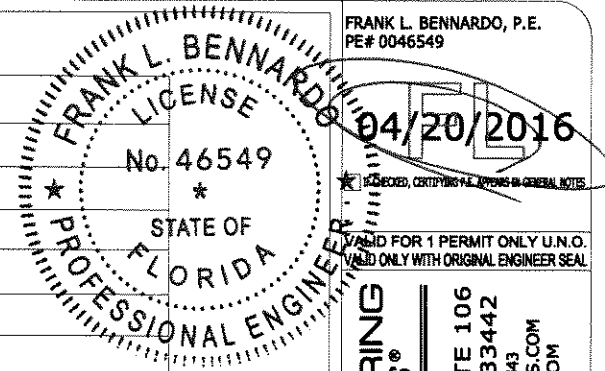
| REMARKS    | DRWN | CHKD | DATE     |
|------------|------|------|----------|
| INIT ISSUE | JEM  | AJP  | 12/18/15 |
|            |      |      |          |
|            |      |      |          |
|            |      |      |          |

THIS DOCUMENT IS THE PROPERTY OF ENGINEERING EXPRESS. ANY REUSE OR REPRODUCTION OF THIS DOCUMENT WITHOUT WRITTEN CONSENT OF ENGINEERING EXPRESS, ALTERATIONS, ADDITIONS, OR OTHER MARKINGS TO THIS DOCUMENT ARE NOT PERMITTED AND INVALIDATE OUR CERTIFICATION.

V:\Projects\15-2257 Florida Product Approval (2) Doors\Sliding Glass Door 2nd Submittal\Drawings\Product Approval - 2nd submittal.dwg  
joem  
04/20/2016 - 5:50pm

V:\Projects\15-2257 Florida Product Approval (2) Doors\Sliding Glass Door 2nd Submittal\Drawings\Product approval - 2nd Submittal (15-2257\_02c Product approval - 2nd submittal.dwg joem 04/20/2016 - 5:06pm

|     | PART #                 | DESCRIPTION                    | MATERIAL   | REMARKS   |
|-----|------------------------|--------------------------------|------------|---|
| 1   | P026301                | SASH - MOBIL PANEL             | 6063-T5    | GRUPPO PROFILATI                                |
| 1A  | P026301-SHARP          | SASH - MOBIL PANEL             | 6063-T5    | GRUPPO PROFILATI                                |
| 2   | P026302                | JOINT - SASH JOINT             | 6063-T5    | GRUPPO PROFILATI                                |
| 3   | P026303                | CAP - SMALL COVER FOR SASH JT. | 6063-T5    | GRUPPO PROFILATI                                |
| 4   | P026304                | CENTRAL MEETING ASTRAGAL       | 6063-T6    | GRUPPO PROFILATI                                |
| 5   | P026305                | FRAME - JAMB/HEAD              | 6063-T5    | GRUPPO PROFILATI                                |
| 5A  | -                      | ALTERNATE FRAME - JAMB/HEAD    | 6063-T5    | GRUPPO PROFILATI                                |
| 6   | P026306                | COVER - LG COVER FOR FRAME     | 6063-T5    | GRUPPO PROFILATI                                |
| 7   | P026307                | TRACK COVER FOR BASE TRACK     | 6063-T5    | GRUPPO PROFILATI                                |
| 8   | P026308                | TRACK BASE (THRESHOLD)         | 6063-T5    | GRUPPO PROFILATI                                |
| 9   | P026673                | SILL RISER 65 MM (2.55")       | 6063-T5    | GRUPPO PROFILATI                                |
| 10  | P026674                | SASH REINFORCEMENT             | 6063-T5    | GRUPPO PROFILATI                                |
| 11  | P026673 MODIFIED       | SILL RISER 65 MM (4")          | 6063-T5    | GRUPPO PROFILATI                                |
| 12  | 5003                   | CORNER KEY FOR SASH            | TBD ?      | BY MONTICELLI                                   |
| 13  | 0410                   | CORNER KEY FOR FRAME           | TBD ?      | BY MONTICELLI OR EQUAL                          |
| 14  | TA.81.1981.PRN.212.WSS | TANDEM ROLLER ITEM             | S.S.       | BY AMESBURY-                                    |
| 15  | TA.81.1981.PRN.21.WN   | TANDEM ROLLER ITEM             | S.S.       | BY AMESBURY                                     |
| 16  | SS.ADH.3006.84         | LOCK - SLIDING DOOR LOCK       | S.S.       | BY AMESBURY                                     |
| 17  | SS.ADH.3021.84         | KEEPER                         | S.S.       | BY AMESBURY                                     |
| 18  | ULTRA FAB              | WEATHER SEAL - TRIFIN          | WEATHERING | BY TRIFIN                                       |
| 19  | PECORA 895             | SILICON FOR GLAZING            | SILCONE    | BY PECORA                                       |
| 20  | P026309                | INSULATED GLASS BEAD           | 6063-T5    | GRUPPO PROFILATI                                |
| 21  | P026310                | LAMINATED GLASS BEAD           | 6063-T5    | GRUPPO PROFILATI                                |
| 22  | P026310 ALTERNATE      | LAMINATED GLASS BEAD           | 6063-T5    | GRUPPO PROFILATI                                |
| 23  | P026305-MOD            | 3-TRACK (HEAD/JAMB)            | 6063-T5    | GRUPPO PROFILATI                                |
| 23A | -                      | ALTERNATE 3-TRACK (HEAD/JAMB)  | 6063-T5    | GRUPPO PROFILATI                                |
| 24  | P026307-MOD            | 3-TRACK SILL COVER             | 6063-T5    | GRUPPO PROFILATI                                |
| 25  | P026308-MOD            | 3-TRACK SILL BASE              | 6063-T5    | GRUPPO PROFILATI                                |
| 26  | -                      | 2"x2" 40 PPI FOAM              | FOAM       | AT ENDS & 6" FROM ENDS & 12" O.C. MAX - BALANCE |
| 27  | -                      | 2 3/4"x1" 40 PPI FOAM          | FOAM       | ON ONE SIDE OF WEEP HOLE                        |
| 28  | -                      | 2 3/4"x1/2" 40 PPI FOAM        | FOAM       | ON OPP. SIDE OF #26                             |
| 29  | -                      | 2"x4" DUST PLUG                | -          | ULTRAFAB (UNDER EACH INTERLOCK AND LOCKSTILE)   |
| 30  | -                      | DOOR HANDLE                    | -          | -   |
| 31  | -                      | 4-TRACK SILL COVER             | 6063-T5    | GRUPPO PROFILATI                                |
| 32  | -                      | 4-TRACK SILL BASE              | 6063-T5    | GRUPPO PROFILATI                                |
| 33  | -                      | 4-TRACK FRAME ADAPTOR          | 6063-T5    | GRUPPO PROFILATI                                |
| 34  | -                      | DOOR FRAME STOP                | 6063-T5    | GRUPPO PROFILATI                                |
| 35  | -                      | ALUMINUM REINFORCEMENT         | 6063-T5    |   |
| 36  | -                      | STEEL REINFORCEMENT ADD-ON     | A-36       | (2) 1.65"x 0.188" STEEL REINFORCEMENT BARS      |



FRANK L. BENNARDO, P.E.  
PE# 0046549

**ENGINEERING EXPRESS®**  
CORPORATE OFFICE:  
160 SW 12th AVE, SUITE 106  
DEERFIELD BEACH, FL 33442  
P: (954) 354-0660 F: (954) 354-0443  
E: HELLO@ENGINEERINGEXPRESS.COM  
ENGINEERINGEXPRESS.COM  
CERT OF AUTH #9885

**LA FINESTRA, LC**  
2790 NW 104TH COURT  
DORAL, FL  
(305) 599-8093

FLORIDA PRODUCT APPROVAL (2) DOORS  
2790 NW 104TH COURT, MIAMI, FL  
FBC 5TH EDITION (2014) PRODUCT APPROVAL #, FL

| REMARKS | INIT | ISSUE | DATE     |
|---------|------|-------|----------|
|         |      |       | 12/18/15 |

THIS DOCUMENT IS THE PROPERTY OF ENGINEERING EXPRESS, AND SHALL NOT BE REPRODUCED IN WHOLE OR PART WITHOUT WRITTEN CONSENT OF ENGINEERING EXPRESS. ALTERATIONS, ADDITIONS, OR OTHER MARKINGS TO THIS DOCUMENT ARE NOT PERMITTED AND INVALIDATE OUR CERTIFICATION.

COPYRIGHT ENGINEERING EXPRESS®  
15-2257  
SCALE: N.T.S.  
28